

**Date:** \_\_\_\_\_

**Type:** \_\_\_\_\_

**Luminaire:** \_\_\_\_\_

**Project:** \_\_\_\_\_

**Approved:**

## FCSL1101



**FCSL1101** 10" exterior die-cast aluminum step light with heavy-walled, die-cast open faceplate, for masonry or drywall construction. IP66 rated for damp, dry or wet locations.



### SPECIFICATIONS

#### PHYSICAL

<b>dimensions</b>	10" W x 3" H x 3.2" D
<b>weight</b>	3 lbs
<b>housing</b>	Marine grade, corrosion resistant, heavy-walled, high pressure, die-cast aluminum with snap-in Screwless faceplate standard. Optional captive recessed stainless steel tamper resistant screws (TRS option). Back Box is high strength, black Polycarbonate with UV protection (UL 746C rated f1) and flame rated (UL94 5VA).
<b>lens</b>	Tempered Opal White Glass Lens, IK09 impact resistant
<b>mounting</b>	Concrete pour, masonry, solid composite, special construction, and drywall construction mounting kit included. Hanger bar mounting optional.
<b>ingress protection</b>	Optical, driver unit is IP66 rated dry, damp or wet locations. All seals are injection molded silicone.
<b>faceplate finish</b>	Available in Black, Bronze, Graphite Grey, Silver, White and Custom Colors. Die cast aluminum faceplate. Six stage chemical iron phosphate conversion pre-treatment. Polyester powder coat finish, 18 µm minimum thickness, 3,000 hour salt spray test (ASTM B117) compliant with Florida, AAMA 2604 specification.

#### PERFORMANCE

<b>color temperature</b>	2700K, 3000K, 3500K, 4000K, 5000K
<b>lumen output</b>	100 lm, 250 lm
<b>lumen maintenance</b>	L70 >72,000 hours
<b>color consistency</b>	3 SDCM / 85 CRI
<b>forward throw @ 2 FT high</b>	0.1 fc @ 13 FT forward
<b>side throw @ 2 FT high</b>	0.1 fc @ 16 FT wide
<b>maximum candela</b>	92 CD
<b>operating temperature</b>	-4°F to 122°F (-20°C to 50°C)
<b>warranty</b>	5-Year limited warranty

#### ELECTRICAL

<b>input voltage</b>	Universal 120 - 277 VAC
<b>power supply</b>	Integral, electronic high-power factor > 90%, THD of ≤ 20%
<b>certifications</b>	cETLus
<b>power consumption</b>	6W (100 lm), 12W (250 lm)
<b>dimming</b>	Tri-Dim (1%, 0-10V, 120 - 277 VAC), (1%, TRIAC & ELV, 120 VAC Only)

Due to continuous development and improvements, specifications are subject to change without notice. FC Lighting reserves the right to change lab test details or specifications without notice. Product use certifies agreement to FC Lighting terms and conditions.



# Ordering Information

## ORDERING INFORMATION

FCSL1101	UNV		CRI85			TD	
MODEL	VOLTAGE	CCT	CRI	LUMENS <sup>1</sup>	FINISH	DIMMING	OPTIONS
<b>FCSL1101</b>	<b>UNV</b>	120 - 277 VAC	<b>27K</b> 2700K <b>3K</b> 3000K <b>35K</b> 3500K <b>4K</b> 4000K <b>5K</b> 5000K	<b>CRI85</b> 85 CRI	<b>1L</b> 100 lm (6W) <b>3L</b> 250 lm (12W)	<b>BKE</b> Black <b>BRE</b> Bronze <b>GRE</b> Graphite Grey <b>SLE</b> Silver <b>WHE</b> White <b>CCE</b> Custom Color	<b>TD</b> Standard Tri-Dim (1% 0-10V, 120 - 277 VAC), (1%, TRIAC & ELV, 120 VAC Only) <b>TRS</b> Tamper Resistant Screws (Torx Pin) <b>HB</b> Hanger Bar (Drywall Mounting) <b>LBB<sup>2</sup></b> Less Back Box (for shipment separate of Back Box)

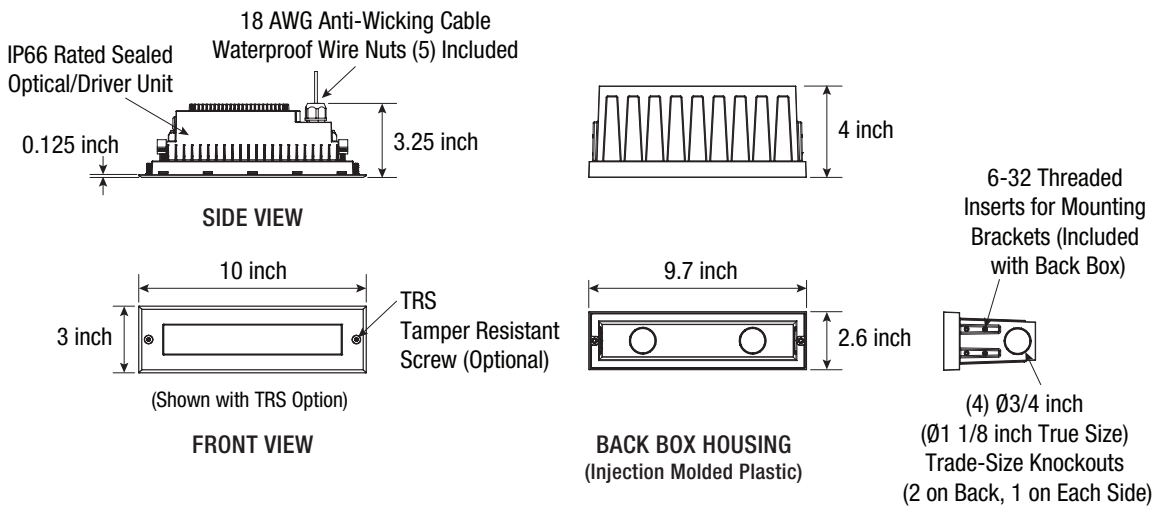
Footnote:  
<sup>1</sup> Typical 4K, CRI85  
<sup>2</sup> Luminaire must be mounted into FC Lighting supplied Back Box shipped with or separate of luminaire.

## BACK BOX KITS

- HSL1100-02-KIT** Back Box Kit - Complete Back Box shipped with mounting kit, shipped in advance of luminaire.
- HSL1100-02-KIT-HB** Back Box Kit w/ Hanger Bar - Includes (HSL1100-02-KIT) Complete Back Box shipped with mounting kit and Hanger Bar (HB), shipped in advance of luminaire.

## PRODUCT DIMENSIONS

PRODUCT DIMENSIONS		MOUNTING	
<b>width</b>	10" W	<b>back box width</b>	9.7" W
<b>height</b>	3" H	<b>back box height</b>	2.6" H
<b>depth</b>	3.25" D	<b>back box depth</b>	4" D



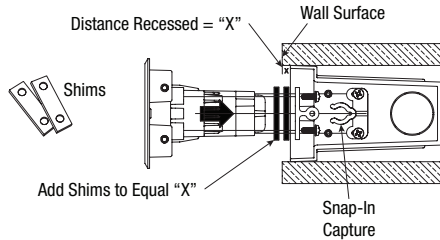
Due to continuous development and improvements, specifications are subject to change without notice. FC Lighting reserves the right to change lab test details or specifications without notice. Product use certifies agreement to FC Lighting terms and conditions.



# Back Box Assemblies and Options

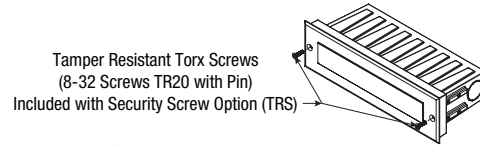
## SHIMS - (8 each) Included with Luminaire

Shims provided to compensate for Back Box misalignment



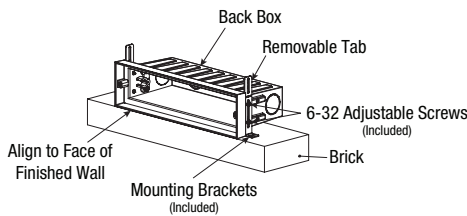
## OPTIONAL — Tamper Resistant Screws (TRS)

Torx screws with pin, finished to compliment faceplate finish

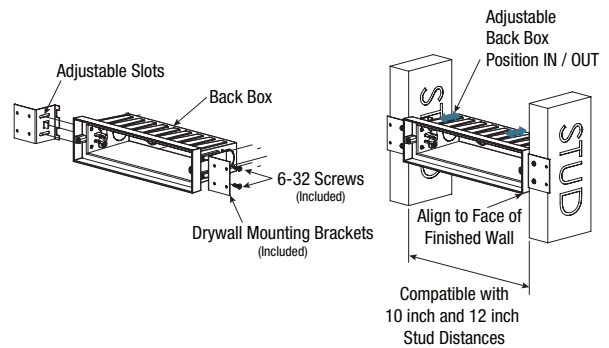


**Note:** Tighten to 18 in-lbs

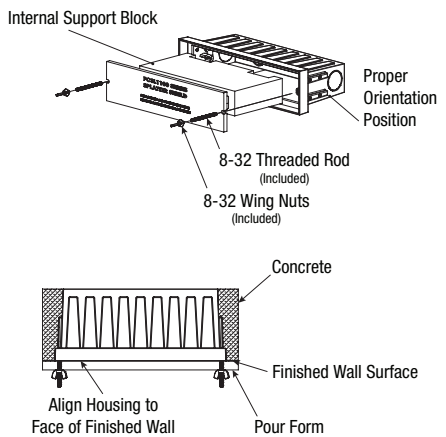
## MASONRY BRACKETS — Included with Black Box Kit



## DRYWALL BRACKETS — Included with Black Box Kit

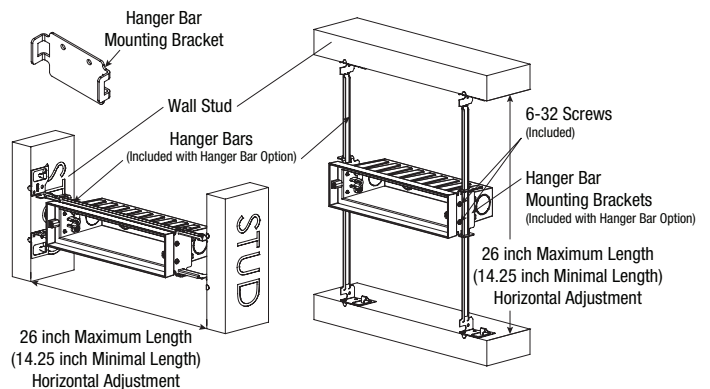


## CONCRETE POUR SETUP — Included with Black Box Kit



**IMPORTANT:** Fresh concrete corrodes aluminum with subsequent release of hydrogen. Concrete must be fully cured prior to installation of steplight to prevent any damage.

## OPTIONAL — Hanger Bars (HB)



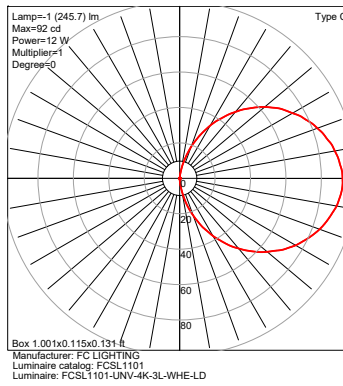
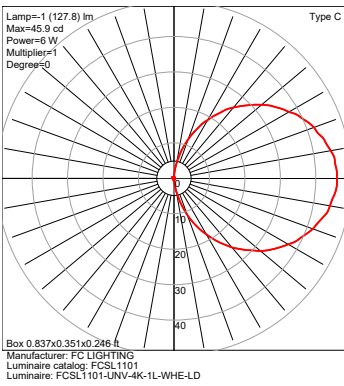
Due to continuous development and improvements, specifications are subject to change without notice. FC Lighting reserves the right to change lab test details or specifications without notice. Product use certifies agreement to FC Lighting terms and conditions.



# Photometry

## OPTICAL DISTRIBUTION

<b>lumen output</b>	100 lm	250 lm
<b>power consumption</b>	6W	12W



IES MULTIPLIER	
CCT (CRI85)	Multiplier
2700	0.91
3000	0.94
3500	0.96
4000	1.00
5000	1.00

Due to continuous development and improvements, specifications are subject to change without notice. FC Lighting reserves the right to change lab test details or specifications without notice. Product use certifies agreement to FC Lighting terms and conditions.