

FCSL1100 SERIES, 10-INCH EXTERIOR, STEP LIGHTS — INSTALLATION INSTRUCTIONS

CAUTION: BEFORE CONNECTING THE LUMINAIRE TO A POWER SUPPLY, MAKE SURE THE POWER IS SWITCHED OFF.

Stud Wall Installation

DETAILED ILLUSTRATION



GENERAL:

1. Before starting the installation, make sure all electricity has been turned off and electrical breaker has been locked out and tagged out.
2. To ensure the success of the installation, be sure to read these instructions and review the diagrams thoroughly before beginning.
3. All electrical connections must be in accordance with local codes, ordinances, or the National Electrical Code.

NOTE: The important safeguards and instructions appearing in this manual are not meant to cover all possible conditions and situations that may occur.

INSTALLATION:

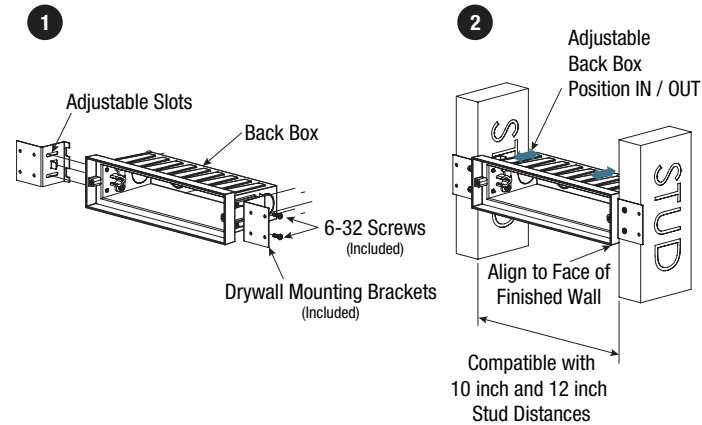
IMPORTANT: Temporarily remove Splatter Shield and contents from Back Box housing and set aside.

1. Install Drywall Mounting Brackets onto Back Box using 6-32 screws provided. **Figure 1**
2. Adjust brackets to align front face of backbox flush to face of finished wall surface. Then fasten brackets to studs. **Figure 2**
3. Orient Back Box housing as shown to attach conduit. Connect conduit to backbox using 3/4" K.O.s. **Figure 3**
4. Optional Hanger Bar Brackets can be used to hang the Back Box between studs or braces to complete installation. **Figure 4**
5. Reinstall Splatter Shield and all contents using the (2) 8-32 screws provided. **Figure 5**

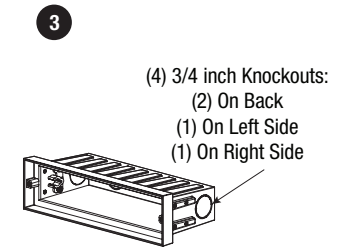
WIRING: All wiring connections must be made in accordance with local electrical codes, ordinances, and the National Electric Code.

Drywall Mounting Brackets

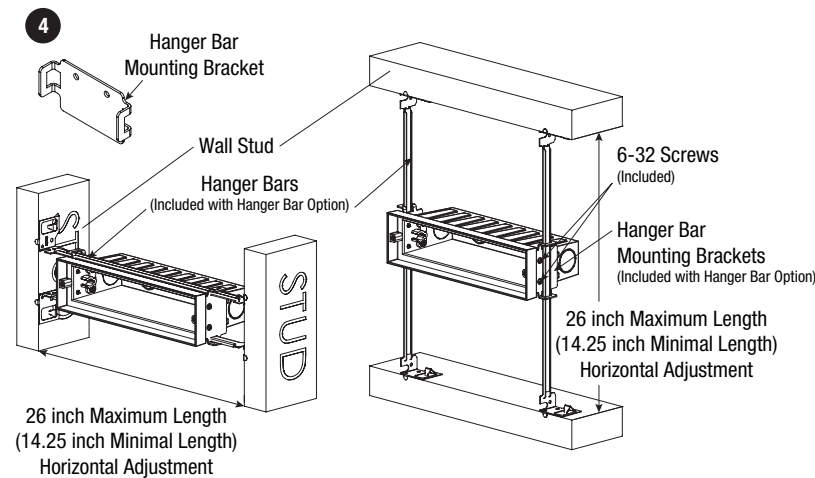
Included with Back Box Kit



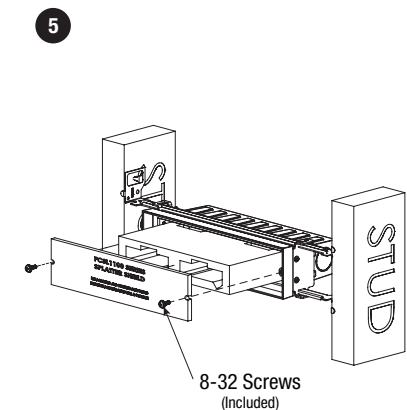
Back Box Conduit Entry



Optional — Hanger Bar (HB)



Back Box Splatter Shield



FCSL1100 SERIES, 10-INCH EXTERIOR, STEP LIGHTS — INSTALLATION INSTRUCTIONS

CAUTION: BEFORE CONNECTING THE LUMINAIRE TO A POWER SUPPLY, MAKE SURE THE POWER IS SWITCHED OFF.

Brick Wall Installation

DETAILED ILLUSTRATION



GENERAL:

1. Before starting the installation, make sure all electricity has been turned off and electrical breaker has been locked out and tagged out.
2. To ensure the success of the installation, be sure to read these instructions and review the diagrams thoroughly before beginning.
3. All electrical connections must be in accordance with local codes, ordinances, or the National Electrical Code.

NOTE: The important safeguards and instructions appearing in this manual are not meant to cover all possible conditions and situations that may occur.

INSTALLATION:

IMPORTANT: Temporarily remove Splatter Shield and contents from Back Box housing and set aside.

1. Install (2) slotted Masonry Mounting Brackets onto each side of the Back Box using (4) 6-32 adjustment screws provided. **Orient Back Box as shown. Figure 1**

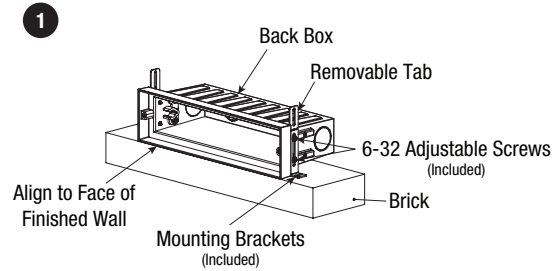
NOTE: Ensure Back Box face is flush with Brick face. **Figure 2**

2. Then fasten brackets to brick using appropriate hardware (by others). Adjust Back Box vertical position for optimal spacing between upper and lower bricks. Then tighten adjustment screws.
3. Connect conduit to backbox using 3/4" K.O.s. **Figure 3**
4. Reinstall Splatter Shield and all contents using the (2) 8-32 screws provided. **Figure 4**

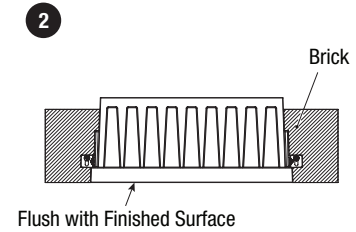
WIRING: All wiring connections must be made in accordance with local electrical codes, ordinances, and the National Electric Code.

Masonry Mounting Brackets

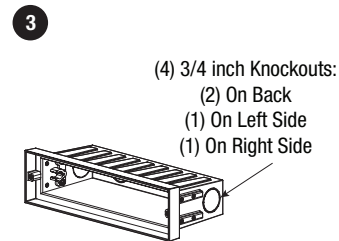
Included with Back Box Kit



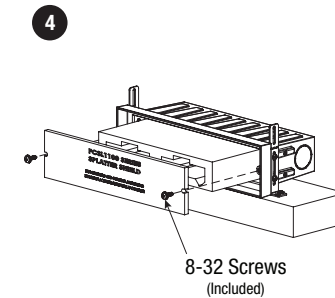
Flush Mounting to Brick Face



Back Box Conduit Entry



Back Box Splatter Shield



FCSL1100 SERIES, 10-INCH EXTERIOR, STEP LIGHTS — INSTALLATION INSTRUCTIONS

CAUTION: BEFORE CONNECTING THE LUMINAIRE TO A POWER SUPPLY, MAKE SURE THE POWER IS SWITCHED OFF.

Poured Concrete Installation

DETAILED ILLUSTRATION



GENERAL:

1. Before starting the installation, make sure all electricity has been turned off and electrical breaker has been locked out and tagged out.
2. To ensure the success of the installation, be sure to read these instructions and review the diagrams thoroughly before beginning.
3. All electrical connections must be in accordance with local codes, ordinances, or the National Electrical Code.

NOTE: The important safeguards and instructions appearing in this manual are not meant to cover all possible conditions and situations that may occur.

INSTALLATION:

IMPORTANT: Temporarily remove Splatter Shield and contents from Back Box housing and set aside.

1. Install the (2) Threaded Rods provided in through the Splatter Shield and into the Back Box as shown. **Figure 1**

2. Ensure that face of Back Box is flush with face of finished surface. Connect conduit to backbox using 3/4" K.O.s. **Figure 2 Orient Back Box in proper position as shown.**

NOTE: Ensure front of Back Box is flush with finished wall face.

3. Reinstall the Splatter Shield and contents into the Back Box and allow Threaded Rods to pass through the Pour Form. Fasten the Back Box assembly to the Pour Form using (2) Wing Nuts provided on the already installed Threaded Rods. **Figure 3**

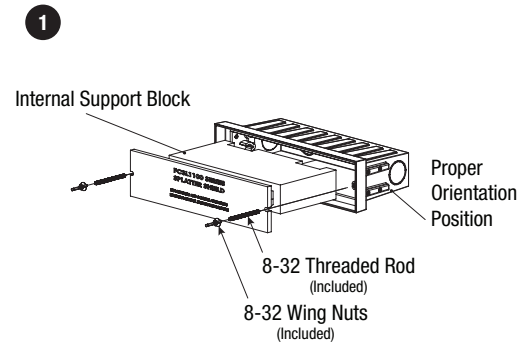
4. For additional Composite or Topcoat finish, again ensure front of Back Box is flush with finished wall face. **Figure 4**

WIRING: All wiring connections must be made in accordance with local electrical codes, ordinances, and the National Electric Code.

IMPORTANT: Fresh concrete corrodes aluminum with subsequent release of hydrogen. Concrete must be fully cured prior to installation of steplight to prevent any damage.

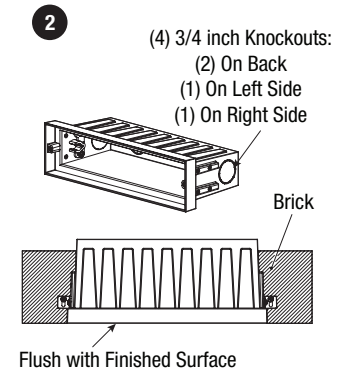
Back Box Splatter Shield

Included with Back Box Kit

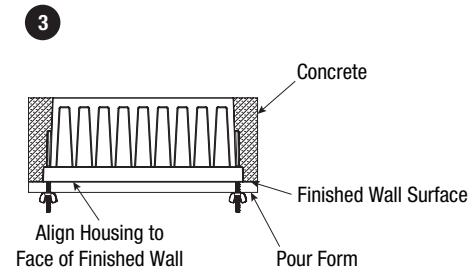


Back Box Conduit Entry

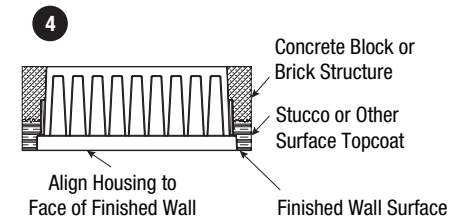
Orient Back Box as Shown



Back Box Face Flush to Concrete



Back Box Face Flush to Composite



FCSL1100 SERIES, 10-INCH EXTERIOR, STEP LIGHTS — INSTALLATION INSTRUCTIONS

CAUTION: BEFORE CONNECTING THE LUMINAIRE TO A POWER SUPPLY, MAKE SURE THE POWER IS SWITCHED OFF.

Luminaire and Back Box Assembly

DETAILED ILLUSTRATION



GENERAL:

1. Before starting the installation, make sure all electricity has been turned off and electrical breaker has been locked out and tagged out.
2. To ensure the success of the installation, be sure to read these instructions and review the diagrams thoroughly before beginning.
3. All electrical connections must be in accordance with local codes, ordinances, or the National Electrical Code.

NOTE: The important safeguards and instructions appearing in this manual are not meant to cover all possible conditions and situations that may occur.

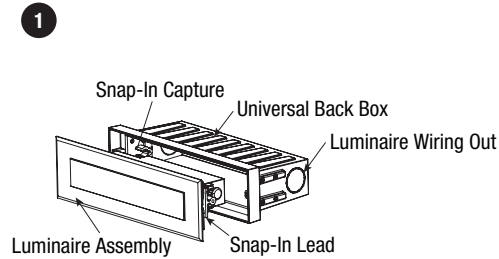
INSTALLATION:

IMPORTANT: Temporarily remove Splatter Shield and contents from Back Box housing and set aside.

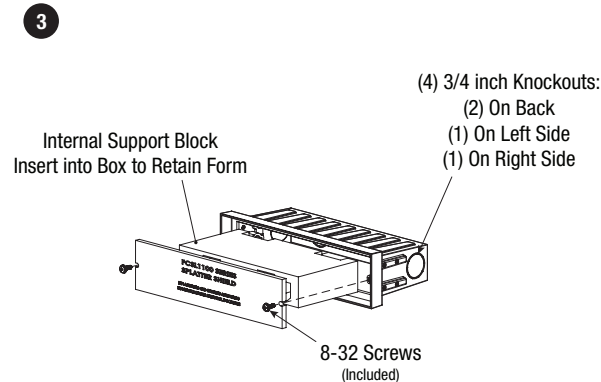
1. To finish step light installation, remove the Splatter Shield and all contents from the Back Box. Complete all wiring in the Back Box, then snap the luminaire assembly into the back box using the Snap-In Captures & Leads. **Figure 1**
2. Use Shims to compensate for misalignment of the front of the Back Box and the finished wall surface. **Figure 2**
3. Connect conduit to backbox using 3/4" K.O. **Figure 3**
4. Splatter Shield and standard mounting installation hardware are included in and ship with the Back Box assembly. (2) 8-32 screws provided to secure and remove the Splatter Shield and contents. **Figure 3**
5. Optional Tamper Resistant Screws (TRS) can be used for additional security using Torx Pin screws. When fastening security screws, tighten to 18 in.-lbs. **Figure 4**

WIRING: All wiring connections must be made in accordance with local electrical codes, ordinances, and the National Electric Code.

Luminaire Snaps into Back Box

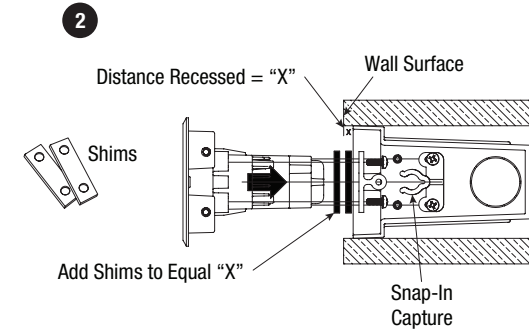


Back Box Splatter Shield



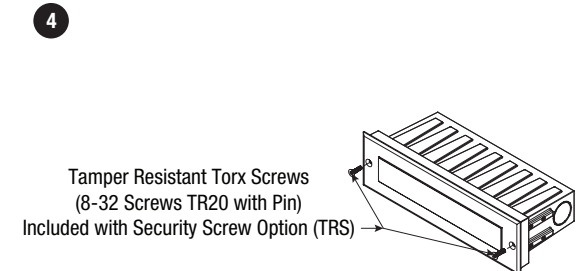
Shims (8 each)

Included with Luminaire to compensate for Back Box misalignment



Optional — Tamper Resistant Screws (TRS)

Torx screws with pin, finished to compliment faceplate finish.



Note: Tighten to 18 in.-lbs