

**Date:** \_\_\_\_\_

**Type:** \_\_\_\_\_

**Luminaire:** \_\_\_\_\_

**Project:** \_\_\_\_\_

**Approved:**

## FCW3350



**FCW3350** Exterior Decor luminaire is a die-cast aluminum 10 inch square luminaire and is IP65 rated. This ADA compliant, easy to install luminaire has an impact resistant lens that provides ample lighting for a variety of ceiling, wall or surface applications.



### SPECIFICATIONS

#### PHYSICAL

<b>dimensions</b>	10.6" Square x 3" Deep
<b>weight</b>	2.5 lbs
<b>housing</b>	Marine grade, corrosion resistant, heavy gauge high pressure die-cast aluminum; captive stainless steel tamper resistant hex head socket screws
<b>lens</b>	Impact and vandal resistant, UV stabilized, white opal, polycarbonate
<b>mounting</b>	Masonry applications use four (4) 0.25" x 0.75" screws with lead anchors (fasteners not included, j-box by others)
<b>ingress protection</b>	IP65 Rated. Suitable for wet, damp or dry location application, with extruded silicone gasket to seal out contaminants
<b>finish</b>	Six stage chemical iron phosphate conversion pre-treatment. Polyester powder coat finish, 18 µm minimum thickness, 5,000 hour salt spray test (ASTM B117) compliant with Florida, AAMA 2604 specification.

#### PERFORMANCE

<b>color temperature</b>	2700K, 3000K, 3500K, 4000K
<b>lumen output</b>	1180 lm, 1650 lm, 2400 lm, 3100 lm
<b>lifetime</b>	L70 >72,000 hours
<b>color consistency</b>	3 SDCM / standard: 85 CRI, optional: 90 CRI
<b>operating temperature</b>	-13°F to 104°F (-25°C to 40°C)
<b>warranty</b>	5-Year limited warranty

#### ELECTRICAL

<b>input voltage</b>	Universal 120 - 277 VAC, Optional: 347 VAC (Integral)
<b>power supply</b>	Integral Class II, electronic high-power factor > 94% @120V
<b>certifications</b>	ETL/cETL Listed, CEC Title 24 JA8 compliant (Only 90 CRI complies), ADA Compliant
<b>standards</b>	UL 1598, CSA C22.2 No. 250.0 - Class II UL8750, CSA C22.2 No. 250.13, IES LM-79 / LM-80
<b>power consumption</b>	41W @ 120 - 277 (Maximum)
<b>dimming</b>	<b>Standard:</b> 0-10V (1%), <b>Optional:</b> ELV (120V Only), DMX (Remote), DALI (Remote)

Due to continuous development and improvements, specifications are subject to change without notice. FC Lighting reserves the right to change lab test details or specifications without notice. Product use certifies agreement to FC Lighting terms and conditions.



# Ordering Information

## ORDERING INFORMATION

FCW3350							
SERIES	VOLTAGE	CCT	CRI	LUMENS	FINISH	OPTIONS	
FCW3350	UNV UNV 120V-277V	27K 2700K	CRI85 85 CRI (Standard)	12L 1180 lm (15W)	BKE Black (AAMA 2604)	LD 0-10V Dimming, 1% (Standard)	
	347V 347V (Integral)	3K 3000K	CRI90 90 CRI	17L 1650 lm (21W)	BRE Bronze (AAMA 2604)	ELV* ELV Dimming *(120V Only)	
	120V 120V (PE option)	35K 3500K		24L 2400 lm (31W)	GRE Graphite Grey (AAMA 2604)	TPS Tamper Proof Screws	
	277V 277V (PE option)	4K 4000K		31L 3100 lm (41W)	SLE Silver (AAMA 2604)	F Fused Line	
					WHE White (AAMA 2604)	CSM Conduit Surface Mount Box	
					CCE Custom Color (AAMA 2604)	SP20 20kV Surge Protector	
						PE120 Photo Eye for 120V	
						PE277 Photo Eye for 277V	

## REMOTE DRIVER & BATTERY BACKUP

FCW3350R	UNV						
SERIES	VOLTAGE	CCT	CRI	LUMENS	FINISH	OPTIONS	
FCW3350R <sup>1</sup>	UNV UNV 120V-277V	27K 2700K	CRI85 85 CRI (Standard)	12L 1180 lm (15W)	BKE Black (AAMA 2604)	LD 0-10V Dimming, 1% (Standard)	
		3K 3000K	CRI90 90 CRI	17L 1650 lm (21W)	BRE Bronze (AAMA 2604)	DMX DMX Dimming (Remote Only)	
		35K 3500K		24L 2400 lm (31W)	GRE Graphite Grey (AAMA 2604)	DALI DALI Dimming (Remote Only)	
		4K 4000K		31L 3100 lm (41W)	SLE Silver (AAMA 2604)	TPS Tamper Proof Screws	
					WHE White (AAMA 2604)	F Fused Line (For Driver Only)	
					CCE Custom Color (AAMA 2604)	CSM Conduit Surface Mount Box	
						BBUR <sup>1</sup> Battery Backup Remote (Indoor)	
						SP20-BBUR (2) 20kV Surge Protectors (1/LED Driver, 1/BBUR) & Battery Backup, Remote (Indoor)	
						BBUX <sup>2</sup> Battery Backup Remote (Outdoor)	
						SP20-BBUX (2) 20kV Surge Protectors (1/LED Driver, 1/BBU) & Battery Backup, Remote (Outdoor)	
						N/A Leave Blank for Remote Driver Only (without Battery Backup)	

<sup>1</sup> LED DRIVER REMOTE (INDOOR) IP20, IK08, NEMA 1, -20°C to +50°C, 30' MAX Distance with 12AWG.

\*Consult factory for outdoor remote driver only.

<sup>1</sup> Battery Back-up & LED Driver Remote (INDOOR), IP20, IK08, NEMA 1, 0°C to +48°C, 30' MAX Distance with 12AWG (w/UNV Option Only)

<sup>2</sup> Battery Back-up & LED Driver Remote (OUTDOOR), IP67, IK10, NEMA 4X, -20°C to +55°C, 30' MAX Distance with 12AWG (w/UNV Option Only)

### Consult Factory for other options and configurations.

To ensure you receive proper configurations for your lighting specifications, contact us directly about any unique application requirements. This may include but not be limited to lumen output, mounting needs, or electrical requirements.

Due to continuous development and improvements, specifications are subject to change without notice. FC Lighting reserves the right to change lab test details or specifications without notice. Product use certifies agreement to FC Lighting terms and conditions.



# Dimensions

PRODUCT DIMENSIONS - STANDARD PRODUCT		MOUNTING - <i>j-box sold by others</i>	
width	10.6" W	mounting plate width	10.34" W
depth	3" D	Mounting plate mounts flush to surface, included with luminaire.	

10.6 inch

FRONT VIEW

3 inch

10.6 inch

SIDE VIEW

Ø3.5 inch

9.5 inch

10.34 inch

### CONDUIT SURFACE MOUNT (CSM)

9.5 inch

9.5 inch

TOP VIEW

3.5 inch

Ø4 inch

TOP VIEW

1.625 inch

Section A-A

SIDE VIEW

1.81 inch

SIDE VIEW

Due to continuous development and improvements, specifications are subject to change without notice. FC Lighting reserves the right to change lab test details or specifications without notice. Product use certifies agreement to FC Lighting terms and conditions.



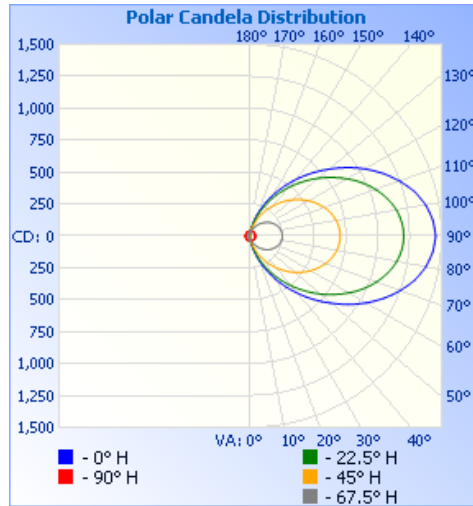
# Photometry

## OPTICAL DISTRIBUTION

<b>lumen output</b>	3100 lm @ 4000K
<b>power consumption</b>	41W

Illuminance at a Distance		
	Center Beam fc	Beam Width
1.7R	<b>13.4 fc</b>	<b>3.3 ft</b>
3.3R	<b>3.55 fc</b>	<b>6.4 ft</b>
5.0R	<b>1.55 fc</b>	<b>9.7 ft</b>
6.7R	<b>0.86 fc</b>	<b>12.9 ft</b>
8.3R	<b>0.56 fc</b>	<b>16.0 ft</b>
10.0R	<b>0.39 fc</b>	<b>19.3 ft</b>

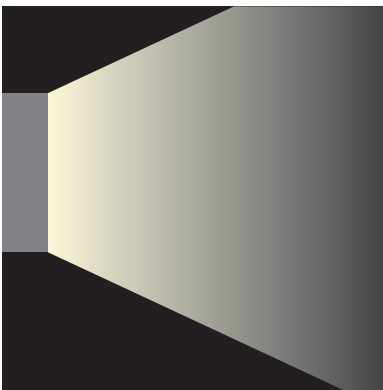
■ Beam Spread: 88.0°



illuminations testing laboratory :

FCW3350

FIND IES FILES ON FCLIGHTING.COM



Due to continuous development and improvements, specifications are subject to change without notice. FC Lighting reserves the right to change lab test details or specifications without notice. Product use certifies agreement to FC Lighting terms and conditions.

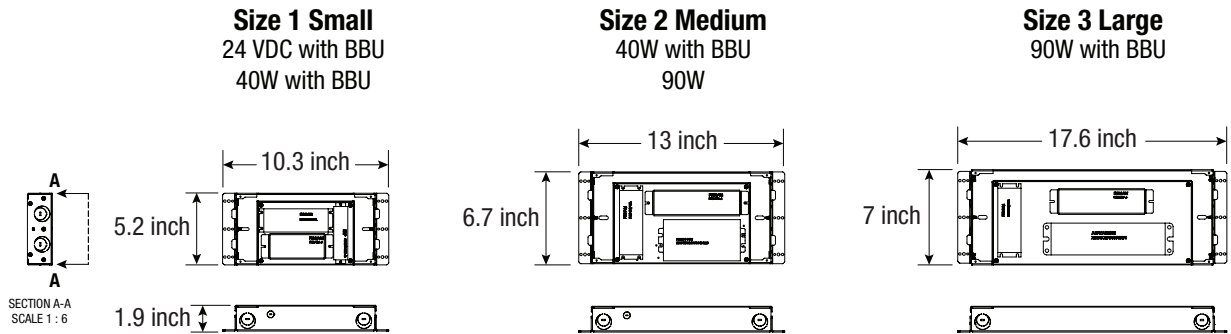
US Commercial Lighting Manufacturer Since 1982

Specification Sheet

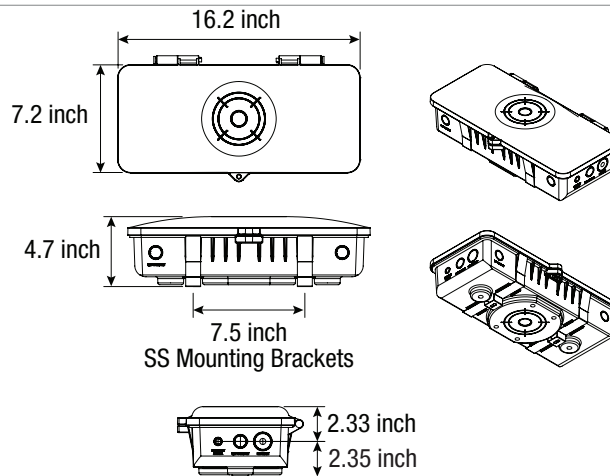


# Battery Backup

**BBUR** — Battery Backup & LED Driver Remote (Indoor), IP20, IK08, NEMA 1, 0 to 48 °C (32 to 118 °F), 30 feet Maximum Distance with 12 AWG (with UNV Option Only)



**BBUX** — Battery Backup & LED Driver Remote (Outdoor), IP67, IK10, NEMA 4X, -20 to 55 °C (-4 to 131 °F), 30 feet Maximum Distance with 12AWG (with UNV Option Only)



Due to continuous development and improvements, specifications are subject to change without notice. FC Lighting reserves the right to change lab test details or specifications without notice. Product use certifies agreement to FC Lighting terms and conditions.