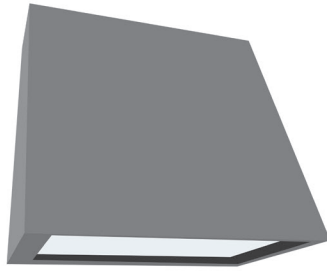


Date:	Approved:
Type:	
Luminaire:	
Project:	

FCW1010



FCW1010 Directional Wall luminaire is IP65 rated and safe for wet locations in down position only. impact resistant lens and face options to meet the design requirements of your building.



SPECIFICATIONS

PHYSICAL

dimensions	12" H x 12" W x 8" D (bottom tapers to 4" D top)
weight	8 lbs
housing	Marine grade, corrosion resistant, heavy gauge, die formed and seam welded aluminum
lens	1/8" thick, clear tempered glass, optional: sand blasted glass lens
mounting	Mounts directly to standard junction box; masonry applications use four (4) 0.25" x 0.75" screws with lead anchors (fasteners not included, j-box by others)
ingress protection	IP65: dry, damp, or wet locations with extruded silicone gasket to seal out contaminants (down position only)
finish	Six stage chemical iron phosphate conversion pre-treatment. Polyester powder coat finish, 18 µm Minutes, 5,000 hour salt spray test (ASTM B117) compliant with Florida, AAMA 2604 specification.

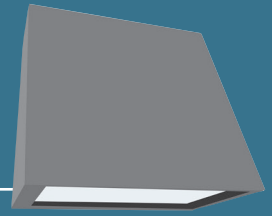
PERFORMANCE

color temperature	2700K, 3000K, 3500K, 4000K
lumen output	1000 lm, 1500 lm, 2000 lm, 3000 lm, 3750 lm
lumen maintenance	L70 >70,000 hours
color consistency	3 SDCM, standard: 85 CRI, optional: 90 CRI
operating temperature	-13°F to 104°F (-25°C to 40°C)
warranty	5-Year limited warranty (refer to website for details)

ELECTRICAL

input voltage	Universal 120 - 277 VAC optional: 347 VAC (Integral)
power supply	Integral Class II, electronic, high power factor > 94% @ 120V
certifications	ETL/cETL Listed, CEC Title 24 JA8 compliant (only 90CRI qualifies)
standards	UL1598, CSA C22.2 No. 250.0; UI 8750, CSA C22.2 No. 250.13, IES LM-79, LM-80
power consumption	35W @ 120 - 277 VAC (maximum)
dimming	standard: 0-10V (1%), optional: ELV (120V Only), DMX (Integral), DALI (Integral)

Due to continuous development and improvements, specifications are subject to change without notice. FC Lighting reserves the right to change lab test details or specifications without notice. Product use certifies agreement to FC Lighting terms and conditions. FCC Series Cylinder Lights are engineered and produced in our Illinois manufacturing facility.



Ordering Information

ORDERING INFORMATION

FCW1010											
SERIES	VOLTAGE		CCT		CRI		LUMENS		FINISH		OPTIONS
FCW1010	UNV	UNV 120 - 277 VAC	27K	2700K	CRI85	85 CRI (Standard)	10L	1000 lm (9W Max)	BKE	Black	LD 0-10V Dimming (Standard)
	120V	120 VAC	3K	3000K	CRI90	90 CRI	15L	1500 lm (14W Max)	BRE	Bronze	SB Sand-Blasted Lens
	347V	347 VAC (Integral)	35K	3500K			20L	2000 lm (19W Max)	GRE	Graphite Grey	ELV* ELV Dimming *(120V Only)
			4K	4000K			30L	3000 lm (28W Max)	SLE	Silver	DMX DMX Dimming (Integral)
						38L	3750 lm (35W Max)	WHE	White	DALI DALI Dimming (Integral)	
								CCE	Custom Color		

REMOTE DRIVER & BATTERY BACKUP

FCW1010R											
SERIES	VOLTAGE		CCT		LUMENS		CRI		FINISH		OPTIONS
FCW1010R[†]	UNV	UNV 120 - 277 VAC	27K	2700K	10L	1000 lm (9W Max)	CRI85	85 CRI (Standard)	BKE	Black	LD 0-10V Dimming (Standard)
	120V	120 VAC	3K	3000K	15L	1500 lm (14W Max)	CRI90	90 CRI	BRE	Bronze	SB Sand-Blasted Lens
	347V	347 VAC (Integral)	35K	3500K	20L	2000 lm (19W Max)			GRE	Graphite Grey	ELV* ELV Dimming *(120V Only)
			4K	4000K	30L	3000 lm (28W Max)			SLE	Silver	BBUR¹ Battery Backup Remote (Indoor)
						38L	3750 lm (35W Max)	WHE	White	BBUX² Battery Backup Remote (Outdoor)	
								CCE	Custom Color	N/A Leave Blank for Remote Driver Only (without Battery Backup)	

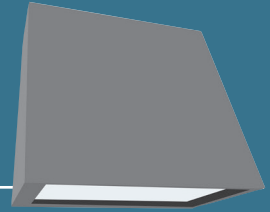
[†] LED Driver Remote (Indoor), IP20, IK08, NEMA 1, -20 to 50°C (-4 to 131°F), 30 FT Maximum Distance with 12AWG.

*Consult factory for outdoor remote driver only.

¹ Battery Back-up & LED Driver Remote (Indoor), 40W, IP20, IK08, NEMA 1, 0° to 48°C (32° to 118°F), 30 FT Maximum Distance with 12AWG (with UNV Option Only), 500 Lumens Nominal (w/ UNV Option Only)

² Battery Back-up & LED Driver Remote (Outdoor), IP67, IK10, NEMA 4X, -20 to 55°C (-4 to 131°F), 30 FT Maximum Distance with 12AWG (with UNV Option Only), 600 Lumens Nominal

Due to continuous development and improvements, specifications are subject to change without notice. FC Lighting reserves the right to change lab test details or specifications without notice. Product use certifies agreement to FC Lighting terms and conditions. FCC Series Cylinder Lights are engineered and produced in our Illinois manufacturing facility.



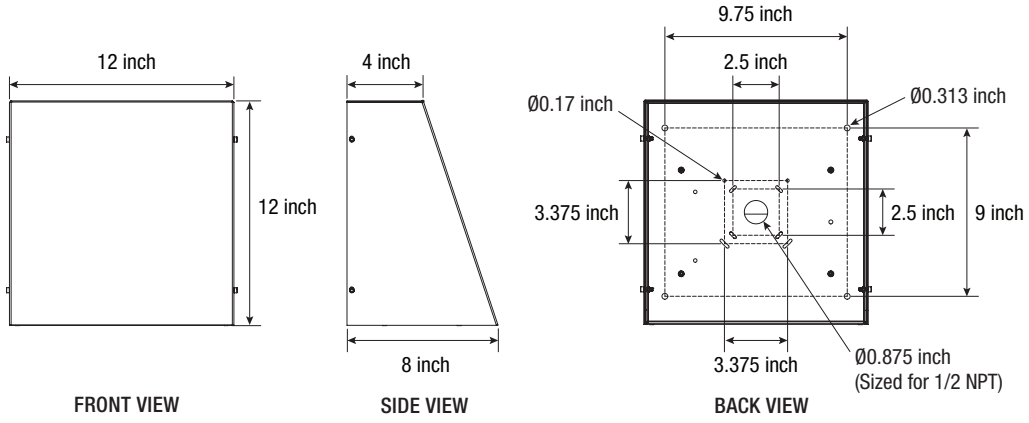
Physical

PRODUCT DIMENSIONS - STANDARD PRODUCT | **MOUNTING - j-box sold by others**

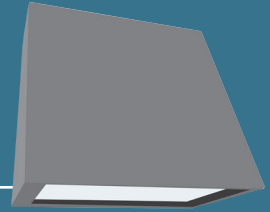
height	12" H
width	12" W
depth	8" D bottom tapers to 4" D top

mounting plate width	10" W
mounting plate height	10" H

mounting plate:
mounts flush to j-box
surface and is included
with luminaire

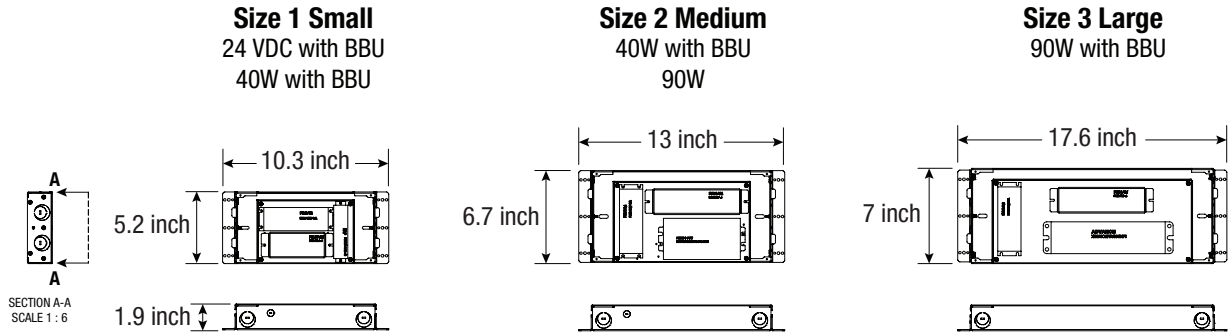


Due to continuous development and improvements, specifications are subject to change without notice. FC Lighting reserves the right to change lab test details or specifications without notice. Product use certifies agreement to FC Lighting terms and conditions. FCC Series Cylinder Lights are engineered and produced in our Illinois manufacturing facility.

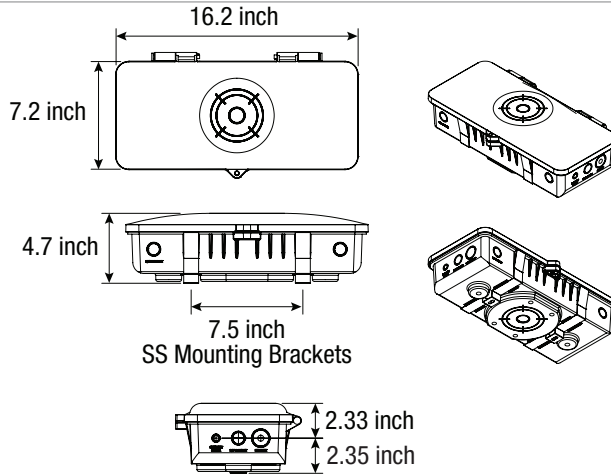


Battery Backup

BBUR — Battery Backup & LED Driver Remote (Indoor), IP20, IK08, NEMA 1, 0 to 48 °C (32 to 118 °F), 30 feet Maximum Distance with 12 AWG (with UNV Option Only)



BBUX — Battery Backup & LED Driver Remote (Outdoor), IP67, IK10, NEMA 4X, -20 to 55 °C (-4 to 131 °F), 30 feet Maximum Distance with 12AWG (with UNV Option Only)



Due to continuous development and improvements, specifications are subject to change without notice. FC Lighting reserves the right to change lab test details or specifications without notice. Product use certifies agreement to FC Lighting terms and conditions. FCC Series Cylinder Lights are engineered and produced in our Illinois manufacturing facility.