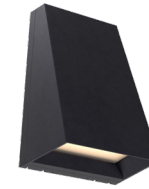


FCW1084 & FCW1084A (Wall Mount) - INSTALLATION INSTRUCTIONS

CAUTION: BEFORE CONNECTING THE FIXTURE TO A POWER SUPPLY, MAKE SURE THE POWER IS SWITCHED OFF.

Includes model: FCW1084, FCW1084A

DETAILED ILLUSTRATIONS

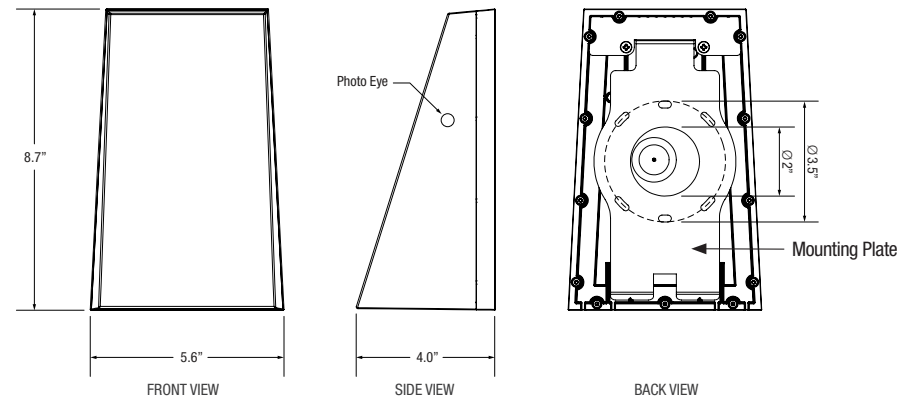


800.900.1730
3609 Swenson Ave
St. Charles, IL 60174

GENERAL:

1. Fixture must be installed by licensed electrician.
2. All electrical connections must be in accordance with local codes, ordinances, or the National Electrical Code.
3. Before starting the installation, make sure all electricity has been turned off and electrical breaker has been locked out and tagged out.
4. To ensure the success of the installation, be sure to read these instructions and review the diagrams thoroughly before beginning.

NOTE: The important safeguards and instructions appearing in this manual are not meant to cover all possible conditions and situations that may occur.



INSTALLATION INSTRUCTIONS:

- 1) Remove the back Mounting Plate from the fixture by loosening bottom (2) Set Screws (.05 Hex). **Fig D** Pull bottom out and lift fixture up.
- 2) Route wiring from the J-box through the center hole of the back Mounting Plate **Fig B**, and then fasten the Mounting Plate to the J-Box. **Fig A**

NOTE: Use J-Box Mounting Screws (by others), to secure the Mounting Plate to the J-Box on the intended surface.

- 3) Complete all fixture wiring and push connections into the J-Box.
- 4) Reattach the fixture to the Mounting Plate by hooking the fixture onto the top of the Mounting Plate **Fig C** then lower the bottom down against the wall.
- 5) Evenly tighten the (2) Set Screws at the bottom to complete install **Fig D**
- 6) For exterior applications, **installer must silicone caulk** the entire outer edge of the fixture that comes in contact with the mounting surface. This is critical for a safe and reliable installation. Failure to do so will void warranty.
- 7) Restore power to circuit then test fixture.

NOTE: LED lamping is integral and NOT intended for general servicing. Fixture designed to work with standard size J-boxes, sizes may vary.

