

Date:	Approved:
Type:	
Luminaire:	
Project:	

FCW1084A



Wildlife Lighting Certified
by the Florida Fish & Wildlife
Conservation Commission



ADA



FCW1084A Wildlife friendly, exterior surface, trapezoidal wall-mounted luminaire with an amber LED. The wedge-shaped design has a timeless, simplistic style and functions well, allowing weather elements to run off the luminaire efficiently.

The FCW1084A is ADA-compliant, IP66-rated, and is available in a choice of housing colors. This small-footprint luminaire has multiple dimming protocol options (1%, 0-10V, TRIAC, or ELV) and is available with symmetrical and asymmetrical light patterns using Wildlife friendly LEDs.

Lighting applications include overhead entries, illuminating building features, hallways, and perimeters.

SPECIFICATIONS

PHYSICAL

dimensions	5.6" W x 8.7" H x 4" D
weight	5 lbs
housing	Marine grade, corrosion resistant, cast aluminum
lens	0.225 inch thick tempered glass with frosted, diffused finish
mounting	Mounts directly to standard junction box
ingress protection	IP66: dry, damp or wet locations with extruded silicone gasket to seal out contaminants (down position only)
finish	Available in Black, Bronze, Graphite Grey, Silver, White and Custom Colors. Six stage chemical iron phosphate conversion pre-treatment. Polyester powder coat finish, 18 µm minimum, 5,000 hour salt spray test (ASTM B117) compliant with Florida / AAMA 2604 specification.

PERFORMANCE

color temperature	Amber — wildlife friendly (590-600 nanometer light wavelength)
lumen output	140 lm (Asymmetrical ASY), 228 lm (Symmetrical SYM)
lumen maintenance	L70 > 70,000 hours
color consistency	Amber (590-600nm)
operating temperature	-13 to 104 °F (-25 to 40 °C)
warranty	5-Year limited warranty

ELECTRICAL

input voltage	Universal 120 - 277 VAC
power supply	Integral
certifications	ETL, cETL Listed, ADA Compliant
standards	UL 1598, CSA C22.2 No. 250.0 - Class, IES LM-79 / LM-80
power consumption	18 W Maximum (228 lm or 140 lm)
dimming	standard: TD Tri-Dim (UNV Only), (1%, 0-10V, 120 - 277 VAC), (1%, TRIAC & ELV, 120 VAC Only), optional: PE (1%, 0-10V, 120 VAC or 277 VAC)

Ordering Information

PART NUMBER							
MODEL	VOLTAGE	CCT	LUMENS	FINISH	OPTIC	OPTIONS	
FCW1084A	UNV	UNV 120 - 277 VAC ¹	AMB Amber	SYMMETRICAL	BKE Black	SYM Symmetrical	PE Photo Eye (120 VAC or 277 VAC) ⁴
		¹ Tri-Dim (UNV Only) (1%, 0-10V, 120-277V), (1%, TRIAC & ELV, 120V Only)	2L 228 lm (18 W)	BRE Bronze	ASY Asymmetrical (Forward Throw)	⁴ Select this option if you have selected either PE 120 or 277 voltage	
	120	120 VAC w/Photo Eye ²	ASYMMETRICAL	GRE Graphite Grey			
		² PE (1%, 0-10V, 120 VAC)	1L 140 lm (18 W)	SLE Silver			
	277	277 VAC w/Photo Eye ³		WHE White			
		³ PE (1%, 0-10V, 277 VAC)		CC Custom Color			

REMOTE DRIVER & BATTERY BACKUP

MODEL	VOLTAGE	CCT	LUMENS	FINISH	OPTIC	OPTIONS	
FCW1084AR[†]	UNV	UNV 120 - 277 VAC ¹	AMB Amber	SYMMETRICAL	BKE Black	SYM Symmetrical	BBUR² Battery Backup Remote (Indoor)
		¹ Tri-Dim (UNV Only) (1%, 0-10V, 120-277V), (1%, TRIAC & ELV, 120V Only)	2L 228 lm (18 W)	BRE Bronze	ASY Asymmetrical (Forward Throw)	BBUX³ Battery Backup Remote (Outdoor)	
			ASYMMETRICAL	GRE Graphite Grey			
			1L 140 lm (18 W)	SLE Silver		N/A Leave Blank for Remote Driver Only (without Battery Backup)	
				WHE White			
				CC Custom Color			

[†] LED DRIVER REMOTE (INDOOR) IP20, IK08, NEMA 1, -20°C to +50°C, 30' MAX Distance with 12AWG.

*Consult factory for outdoor remote driver only.

² Battery Back-up & LED Driver Remote (INDOOR), IP20, IK08, NEMA 1, 0°C to +48°C, 30' MAX Distance with 12AWG (w/UNV Option Only)

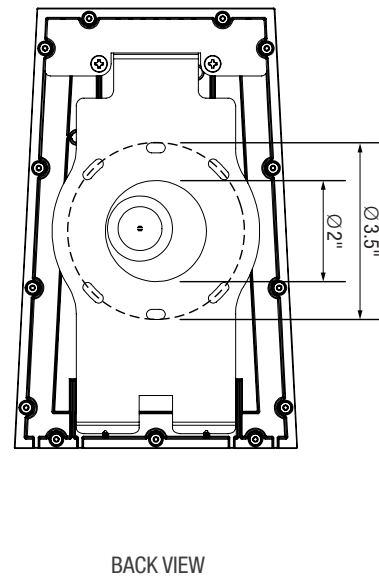
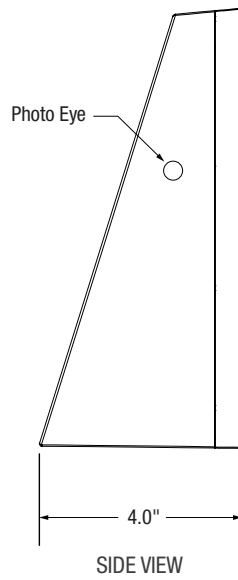
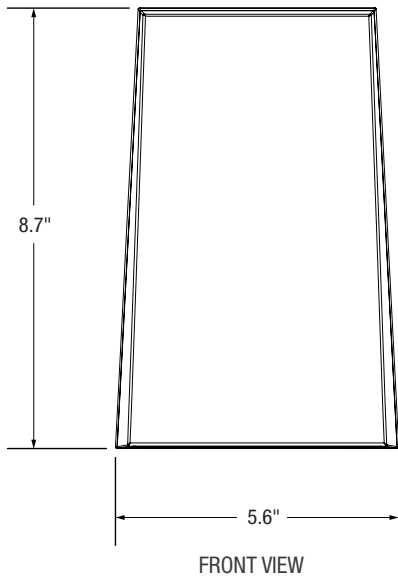
³ Battery Back-up & LED Driver Remote (OUTDOOR), IP67, IK10, NEMA 4X, -20°C to +55°C, 30' MAX Distance with 12AWG (w/UNV Option Only)



Dimensions

PRODUCT DIMENSIONS - STANDARD PRODUCT

width	5.6" W
height	8.7" H
depth (bottom)	4" D

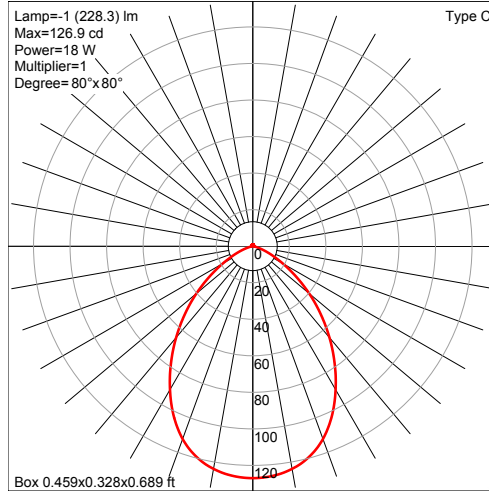


Photometry

OPTICAL DISTRIBUTION

SYM	Symmetrical distribution
------------	--------------------------

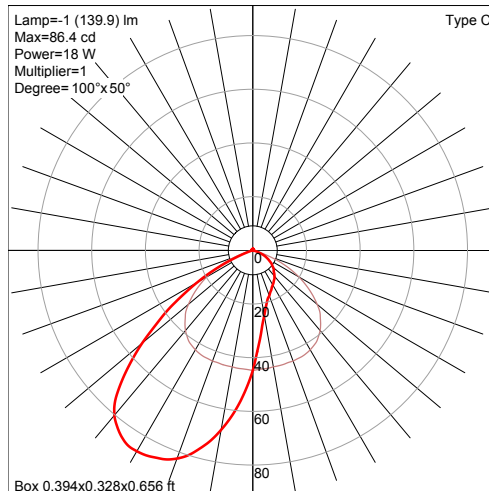
Model	Watts	Amber
FCW1084A	18 W	228 lm



Manufacturer: FC LIGHTING
 Luminaire catalog: FCDW1084A
 Luminaire: FCDW1084A-UNV-AMB-02L-BKE-SYM

ASY	Asymmetrical distribution
------------	---------------------------

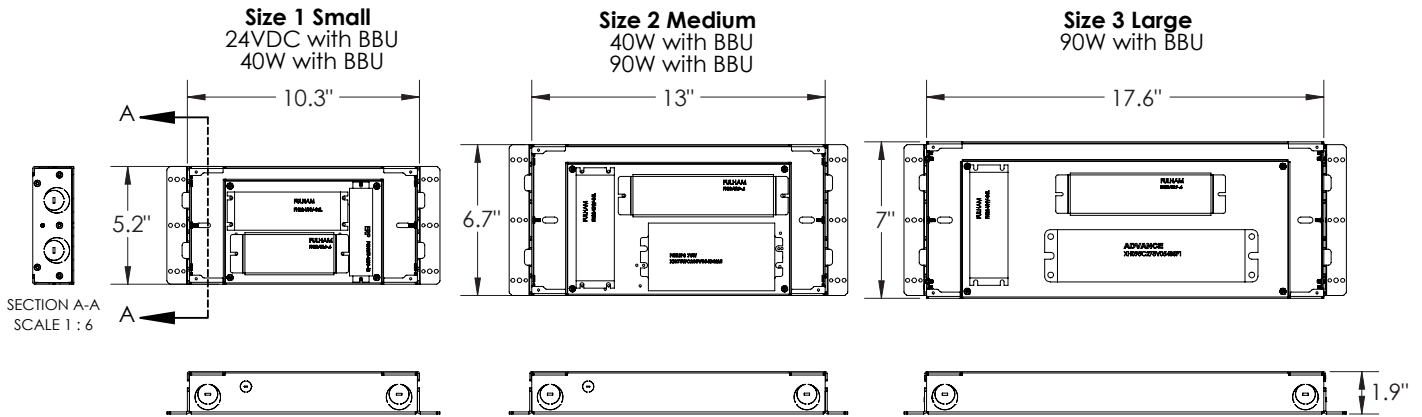
Model	Watts	Amber
FCW1084A	18 W	140 lm



Manufacturer: FC LIGHTING
 Luminaire catalog: FCW1084A
 Luminaire: FCW1084A-UNV-AMB-1L-ASY

BATTERY BACK-UPS

BBUR - BATTERY BACK-UP & LED DRIVER REMOTE (INDOOR), IP20, IK08, NEMA 1, 0°C to +48°C, 30' MAX Distance with 12AWG (w/UNV Option Only)



BBUX - BATTERY BACK-UP & LED DRIVER REMOTE (OUTDOOR), IP67, IK10, NEMA 4X, -20°C to +55°C, 30' MAX Distance with 12AWG (w/UNV Option Only)

