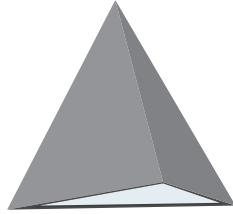




## FCW1040



**Date:**

**Type:**

**Fixture:**

**Project:**

**Approved:**

FCW1040 Architectural pyramid design, Directional Wall fixture is a functional IP65 rated down light. Corrosion resistant, extruded aluminum construction, this fixture provides ample illumination for damp, dry or wet areas.



### SPECIFICATIONS

**EOL**

#### PHYSICAL

<b>dimensions</b>	19.8" W x 20" H x 11.1" Deep
<b>weight</b>	10 lbs
<b>housing</b>	Marine grade, corrosion resistant, heavy gauge aluminum
<b>lens</b>	<b>Standard:</b> 1/8" thick tempered, clear, heat resistant lens   <b>Optional:</b> polycarbonate or sand blasted lens
<b>mounting</b>	Mounts directly to standard junction box; masonry applications use four (4) 0.25" x 0.75" screws with lead anchors (fasteners not included, j-box by others)
<b>ingress protection</b>	IP65 : dry, damp or wet locations with extruded silicone gasket to seal out contaminants
<b>finish</b>	Six stage chemical iron phosphate conversion pre-treatment. Polyester powder coat finish, 18 µm Min., 5000hr salt spray test (ASTM B117) compliant with Florida / AAMA 2604 specification.

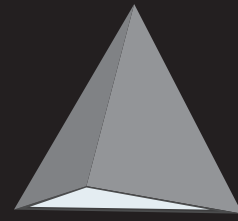
#### PERFORMANCE

<b>color temperature</b>	2700K	3000K	3500K	4000K
<b>lumen output</b>	1000 lm   1500 lm   2000 lm			
<b>lifetime</b>	> 70,000 hours / L70 or better			
<b>color consistency</b>	3 SDCM / standard: 85 CRI   optional: 90 CRI			
<b>operating temperature</b>	-13°F to 104°F (-25°C to 40°C)			
<b>junction temperature</b>	73°C @ T <sup>a</sup> 25°C			
<b>warranty</b>	5-Year limited warranty (refer to website for details)			

#### ELECTRICAL

<b>input voltage</b>	Universal 120-277VAC   optional: 347VAC (integral)
<b>power supply</b>	Integral Class II, electronic, high power factor > 94% @120V
<b>certifications</b>	ETL/cETL Listed, CEC Title 24 JA8 compliant (only 90CRI qualifies)
<b>standards</b>	UL1598/CSA C22.2 No. 250.0; UI 8750/CSA C22.2 No. 250.13/IES LM-79/LM-80
<b>power consumption</b>	41W Max @ 120V - 277V
<b>dimming</b>	<b>standard:</b> 0-10V (1%)   <b>optional:</b> ELV (120V only)/DMX (integral)/DALI (integral)

Due to continuous development and improvements, specifications are subject to change without notice. FC Lighting reserves the right to change lab test details or specifications without notice. Product use certifies agreement to FC Lighting terms and conditions.

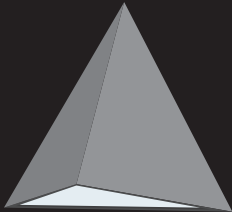


# Ordering Information

## ORDERING INFORMATION

FCW1040															
SERIES	VOLTAGE		CCT		CRI		LUMENS		FINISH		OPTIONS				
<b>FCW1040</b>	<b>UNV</b>	UNV 120V-277V	<b>27K</b>	2700K	<b>CRI85</b>	85 CRI (Standard)		<b>10L</b>	1000 lm (20 W)		<b>BK</b>	Black	<b>LD</b>	0-10V Dimming (Standard)	
	<b>120V</b>	120V AC ( <i>Photo Eye</i> )	<b>3K</b>	3000K	<b>CRI90</b>	90 CRI		<b>15L</b>	1500 lm (30 W)		<b>BZ</b>	Bronze	<b>SB</b>	Sand-Blasted Lens	
	<b>277V</b>	277V AC ( <i>Photo Eye</i> )	<b>35K</b>	3500K				<b>20L</b>	2000 lm (41 W)		<b>SL</b>	Silver	<b>PE</b>	Photo Eye ( <i>120V or 277V Only</i> )	
	<b>347V</b>	347V AC ( <i>Integral</i> )	<b>4K</b>	4000K							<b>WH</b>	White	<b>PCL</b>	Polycarbonate Lens	
										<b>CC</b>	Custom Color	<b>F</b>	Fuse	<b>ELV</b>	ELV Dimming ( <i>120V only</i> )
														<b>DMX</b>	DMX Dimming ( <i>integral</i> )
														<b>DALI</b>	DALI Dimming ( <i>integral</i> )
														<b>BBUR</b>	Battery Backup, Remote

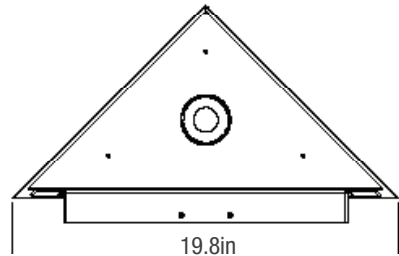
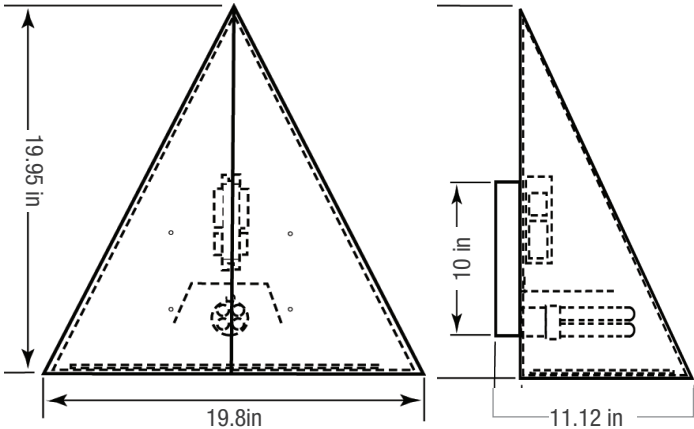
Due to continuous development and improvements, specifications are subject to change without notice. FC Lighting reserves the right to change lab test details or specifications without notice. Product use certifies agreement to FC Lighting terms and conditions.



# Dimensions

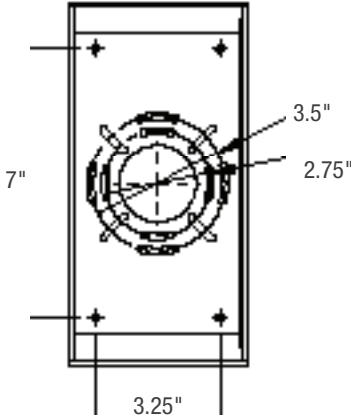
**PRODUCT DIMENSIONS - STANDARD PRODUCT**

width	19.8" W
height	19.95" H
depth	11.12" D



**MOUNTING - j-box sold by others**

mounting cleat width	3.5" W
mounting cleat height	7.25" H



mounting cleat:  
mounts flush to j-box  
surface and is included  
with fixture

3.5" or 2.75"	mounting diameter
3.25" x 7"	hole pattern

Due to continuous development and improvements, specifications are subject to change without notice. FC Lighting reserves the right to change lab test details or specifications without notice. Product use certifies agreement to FC Lighting terms and conditions.