

FCSL495



Date:	Approved:
Type:	
Fixture:	
Project:	

FCSL495 8 inch round, interior surface mount step light with hood. Corrosion resistant, die-cast aluminum construction. This low profile, ADA compliant fixture provides illumination for damp, damp or wet locations.



SPECIFICATIONS

PHYSICAL

dimensions	Ø 8.375" x 1.375" Deep
weight	2 lbs
housing	Marine grade, corrosion resistant, heavy gauge aluminum faceplate
lens	Clear tempered glass lens
mounting	Surface mounts directly to surface, over standard octagonal or single gang junction box
ingress protection	IP65 Dry, damp or wet locations with extruded silicone gasket to seal out contaminants
faceplate finish	Six stage chemical iron phosphate conversion pre-treatment. Polyester powder coat finish, 18 µm Min., 5000hr salt spray test (ASTM B117) compliant with Florida / AAMA 2604 specification.

PERFORMANCE

color temperature	2700K	3000K	3500K	4000K
lumen output	370 lm			
lifetime	> 70,000 hours / L70 or better			
color consistency	3 SDCM / 85 CRI			
operating temperature	-13°F to 104°F (-25°C to 40°C)			
junction temperature	73°C @ T ^a 25°C			
warranty	5-Year limited warranty (refer to website for details)			

ELECTRICAL

input voltage	Universal 120 - 277 VAC
power supply	Integral Class II, electronic high-power factor > 94% @ 120V
certifications	ETL / cETL Listed, CEC Title 24 JA8 compliant (only 90CRI)
standards	UL1598/CSA C22.2 No. 250.0; UL 8750/CSA C22.2 No. 250.13/IES LM-79/LM-80
power consumption	6W (370 lm)

Due to continuous development and improvements, specifications are subject to change without notice. FC Lighting reserves the right to change lab test details or specifications without notice. Product use certifies agreement to FC Lighting terms and conditions. FCC Series Cylinder Lights are engineered and produced in our Illinois manufacturing facility.



Ordering Information

PART NUMBER							
FCSL495			CRI85	4L			
SERIES	VOLTAGE	CCT	CRI	LUMENS	FINISH	OPTIONS	
FCSL495	120V	120 VAC	27K	2700K	CRI85 85 CRI	4L 370 lm (6W)	BKE Black
	277V	277 VAC	3K	3000K			BRE Bronze
	UNV	120 - 277 VAC	35K	3500K			GRE Graphite Grey
			4K	4000K			SLE Silver
					WHE White		
						CCE Custom Color	

REMOTE DRIVER & BATTERY BACKUP

FCSL495R	UNV		CRI85	4L				
SERIES	VOLTAGE	CCT	CRI	LUMENS	FINISH	OPTIONS		
FCSL495R ¹	UNV	120V- 277 VAC	27K	2700K	CRI85 85 CRI	4L 370 lm (6W)	BKE Black	BBUR ¹ Battery Backup Remote (Indoor)
			3K	3000K			BRE Bronze	BBUX ² Battery Backup Remote (Outdoor)
			35K	3500K			GRE Graphite Grey	N/A Leave Blank for Remote Driver Only (without Battery Backup)
			4K	4000K			SLE Silver	
					WHE White			
					CCE Custom Color			

¹ LED DRIVER REMOTE (INDOOR) IP20, IK08, NEMA 1, -20°C to +50°C, 30' MAX Distance with 12AWG.

*Consult factory for outdoor remote driver only.

¹ Battery Back-up & LED Driver Remote (INDOOR), IP20, IK08, NEMA 1, 0°C to +48°C, 30' MAX Distance with 12AWG (w/UNV Option Only)

² Battery Back-up & LED Driver Remote (OUTDOOR), IP67, IK10, NEMA 4X, -20°C to +55°C, 30' MAX Distance with 12AWG (w/UNV Option Only)

Consult Factory for other options and configurations.

To ensure you receive proper configurations for your lighting specifications, contact us directly about any unique application requirements. This may include but not be limited to lumen output, mounting needs, or electrical requirements.

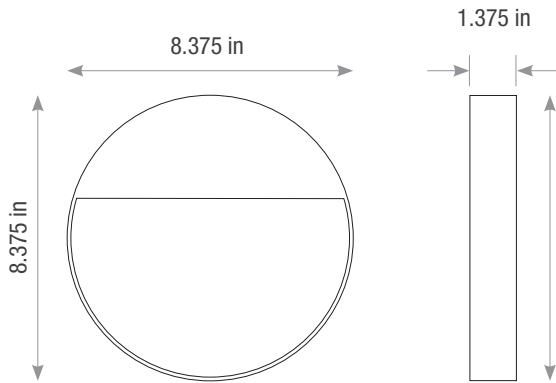
Due to continuous development and improvements, specifications are subject to change without notice. FC Lighting reserves the right to change lab test details or specifications without notice. Product use certifies agreement to FC Lighting terms and conditions. FCC Series Cylinder Lights are engineered and produced in our Illinois manufacturing facility.



Dimensions

PRODUCT DIMENSIONS - STANDARD PRODUCT

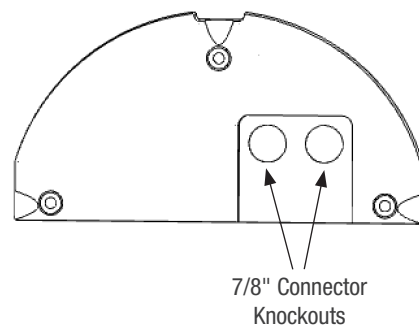
diameter	Ø 8.375"
depth	1.375" D



MOUNTING - *j-box sold by others*

mounting plate width	8.375" W
mounting bracket width	8" W
mounting bracket height	6" H

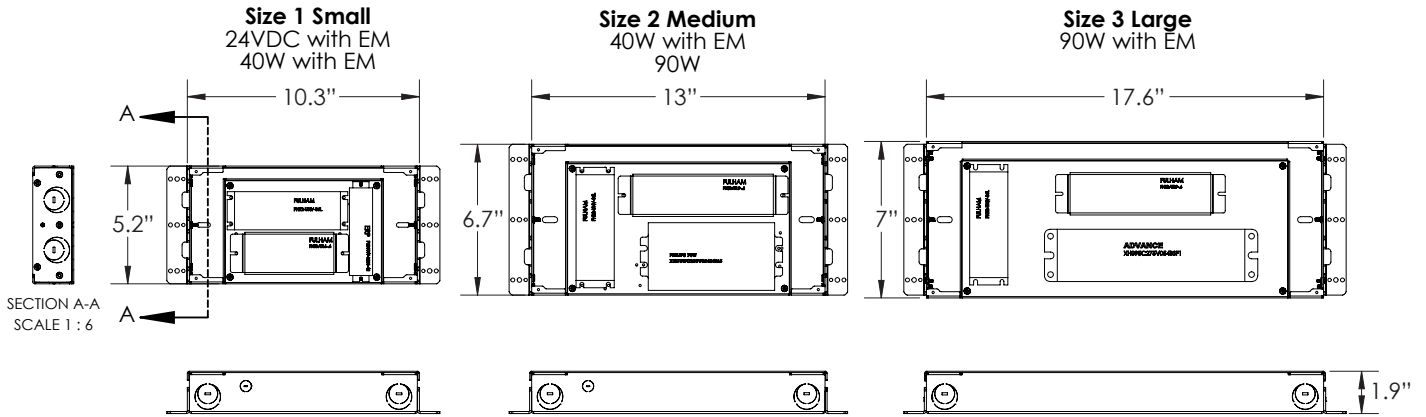
Mounts directly to surface over octagonal or single gang j-box (by others).



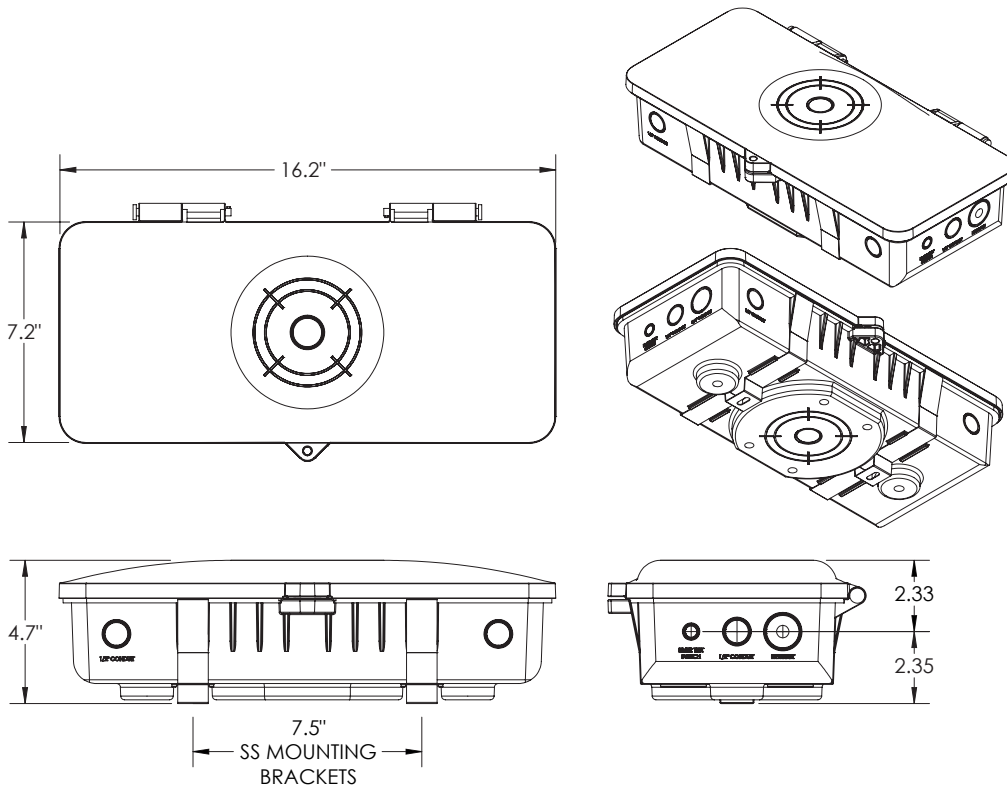
Due to continuous development and improvements, specifications are subject to change without notice. FC Lighting reserves the right to change lab test details or specifications without notice. Product use certifies agreement to FC Lighting terms and conditions. FCC Series Cylinder Lights are engineered and produced in our Illinois manufacturing facility.

BATTERY BACK-UPS

BBUR - BATTERY BACK-UP & LED DRIVER REMOTE (INDOOR), IP20, IK08, NEMA 1, 0°C to +48°C, 30' MAX Distance with 12AWG (w/UNV Option Only)



BBUX - BATTERY BACK-UP & LED DRIVER REMOTE (OUTDOOR), IP67, IK10, NEMA 4X, -20°C to +55°C, 30' MAX Distance with 12AWG (w/UNV Option Only)



Due to continuous development and improvements, specifications are subject to change without notice. FC Lighting reserves the right to change lab test details or specifications without notice. Product use certifies agreement to FC Lighting terms and conditions. FCC Series Cylinder Lights are engineered and produced in our Illinois manufacturing facility.