

FCSL401



FCSL401 IP65 rated exterior round open face, 7 inch step light designed for masonry applications. Corrosion resistant, high pressured, die-cast aluminum construction, this fixture provides illumination for damp, dry or wet areas.



SPECIFICATIONS

PHYSICAL

dimensions	Ø 7.2" x 4" Deep
weight	2 lbs
housing	Marine grade, corrosion resistant, heavy walled, high pressure die-cast aluminum
lens	White glass lens
mounting	Concrete pour, masonry applications
ingress protection	IP65 : dry, damp or wet locations with extruded silicone gasket to seal out contaminants
faceplate finish	Six stage chemical iron phosphate conversion pre-treatment. Polyester powder coat finish, 18 µm Min., 5000hr salt spray test (ASTM B117) compliant with Florida / AAMA 2604 specification.

PERFORMANCE

color temperature	2700K	3000K	3500K	4000K
lumen output	950 lm			
lifetime	> 70,000 hours / L70 or better			
color consistency	3 SDCM / 85 CRI			
operating temperature	-13°F to 104°F (-25°C to 40°C)			
junction temperature	73°C @ T ^a 25°C			
warranty	5-Year limited warranty (refer to website for details)			

ELECTRICAL

input voltage	Universal 120 - 277 VAC optional: 347 VAC (Integral)
power supply	Integral Class II, electronic high-power factor > 94% @ 120V
certifications	ETL / cETL Listed ADA compliant CEC Title 24 JA8 compliant (90 CRI only)
standards	UL1598/CSA C22.2 No. 250.0; UL 8750/CSA C22.2 No. 250.13/IES LM-79/LM-80
power consumption	18W @ 120 - 277 VAC
dimming	0-10V (10%)

Due to continuous development and improvements, specifications are subject to change without notice. FC Lighting reserves the right to change lab test details or specifications without notice. Product use certifies agreement to FC terms and conditions.



Ordering Information

ORDERING INFORMATION

FCSL401				CRI85		10L				
SERIES	VOLTAGE		CCT		CRI		LUMENS		FINISH	OPTIONS
FCSL401	120V	120 VAC	27K	2700K	CRI85	85 CRI	10L	950 lm (18W)	BKE Black	LD 0-10V Dimming (Standard)
	277V	277 VAC	3K	3000K					BRE Bronze	WPC White Polycarbonate Lens
	UNV	120 - 277 VAC	35K	3500K					GRE Graphite Grey	DWR Drywall Wings (for remodeling applications)
	347V	347 VAC	4K	4000K					SLE Silver	LBB Less Back Box (for shipment separate of Back Box)
									WHE White	
									CCE Custom Color	

BACK BOX KITS

99005-ETL Back Box Kit - Complete Back Box shipped in advance of fixture without mounting kit.

REMOTE DRIVER & BATTERY BACKUP

FCSL401R	UNV			CRI85		10L				
SERIES	VOLTAGE		CCT		CRI		LUMENS		FINISH	OPTIONS
FCSL401R [†]	UNV	120 - 277 VAC	27K	2700K	CRI85	85 CRI	10L	950 lm (18W)	BKE Black	LD 0-10V Dimming (Standard)
			3K	3000K					BRE Bronze	WPC White Polycarbonate Lens
			35K	3500K					GRE Graphite Grey	DWR Drywall Wings (for remodeling applications)
			4K	4000K					SLE Silver	LBB Less Back Box (for shipment separate of Back Box)
								WHE White		
								CCE Custom Color	BBUR ¹ Battery Backup Remote (Indoor)	
									BBUX ² Battery Backup Remote (Outdoor)	
									N/A Leave Blank for Remote Driver Only (without Battery Backup)	

[†] LED DRIVER REMOTE (INDOOR) IP20, IK08, NEMA 1, -20°C to +50°C, 30' MAX Distance with 12AWG.
 *Consult factory for outdoor remote driver only.

¹ Battery Back-up & LED Driver Remote (INDOOR), IP20, IK08, NEMA 1, 0°C to +48°C, 30' MAX Distance with 12AWG (w/UNV Option Only)

² Battery Back-up & LED Driver Remote (OUTDOOR), IP67, IK10, NEMA 4X, -20°C to +55°C, 30' MAX Distance with 12AWG (w/UNV Option Only)

Consult Factory for other options and configurations.

To ensure you receive proper configurations for your lighting specifications, contact us directly about any unique application requirements. This may include but not be limited to lumen output, mounting needs, or electrical requirements.

Due to continuous development and improvements, specifications are subject to change without notice. FC Lighting reserves the right to change lab test details or specifications without notice. Product use certifies agreement to FC terms and conditions.

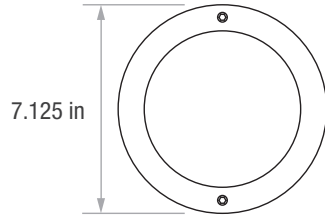
US Commercial Lighting Manufacturer Since 1982



Dimensions

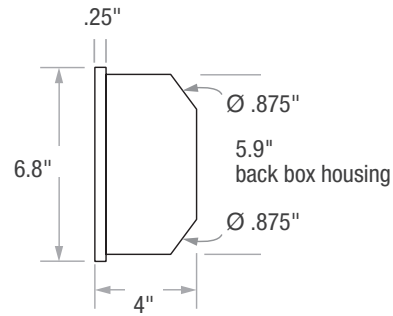
PRODUCT DIMENSIONS - STANDARD PRODUCT | **MOUNTING - j-box sold by others**

diameter	7.125" W
housing depth	4.25" D



back box diameter lip	Ø 6.8"
back box housing depth	Ø 5.9"
back box lip depth	.25" D
back box housing depth	4" D

back box mounts inside brick masonry: faceplate flush to surface or in front of surface - see installation instructions for proper mounting directions



Due to continuous development and improvements, specifications are subject to change without notice. FC Lighting reserves the right to change lab test details or specifications without notice. Product use certifies agreement to FC terms and conditions.



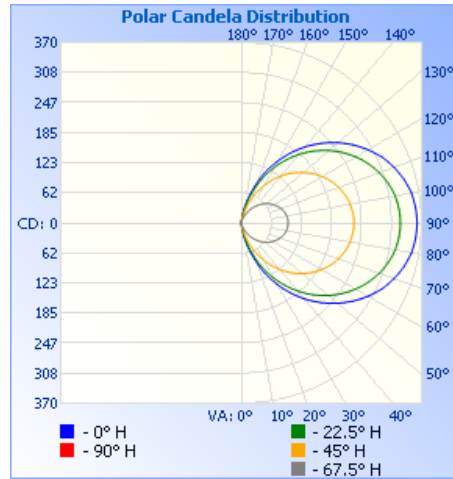
Photometry

OPTICAL DISTRIBUTION

lumen output	957 Lm @ 4000K
power consumption	17W

Illuminance at a Distance			
	Center Beam fc	Beam Width	
1.7R	0.11 fc	4.7 ft	4.7 ft
3.3R	0.03 fc	9.1 ft	9.1 ft
5.0R	0.01 fc	13.8 ft	13.8 ft
6.7R	0.01 fc	18.5 ft	18.5 ft
8.3R	0.00 fc	22.9 ft	22.9 ft
10.0R	0.00 fc	27.6 ft	27.6 ft

■ Vert. Spread: 108.1°
■ Horiz. Spread: 108.1°



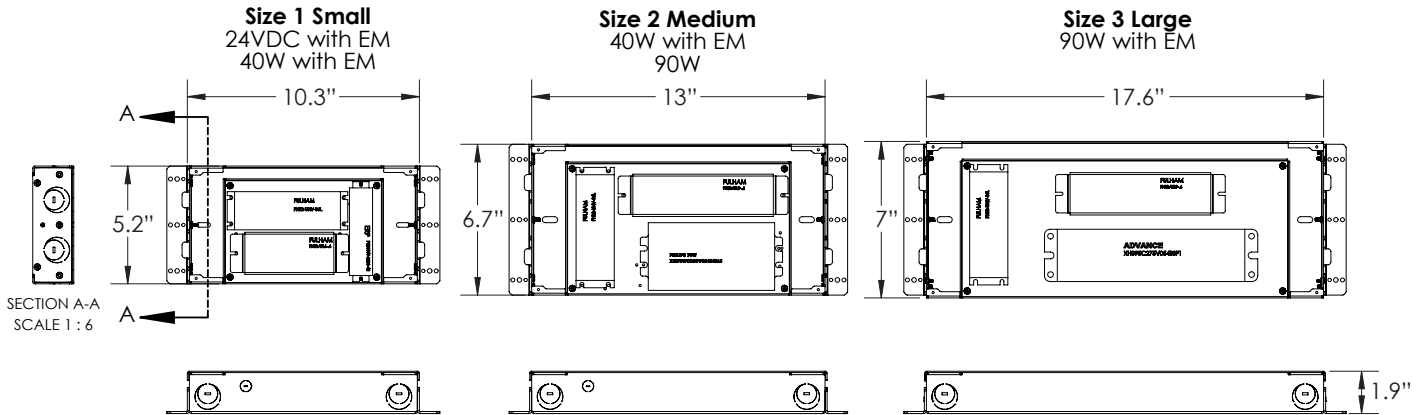
iti illuminations testing laboratory: Report #1029

Due to continuous development and improvements, specifications are subject to change without notice. FC Lighting reserves the right to change lab test details or specifications without notice. Product use certifies agreement to FC terms and conditions.

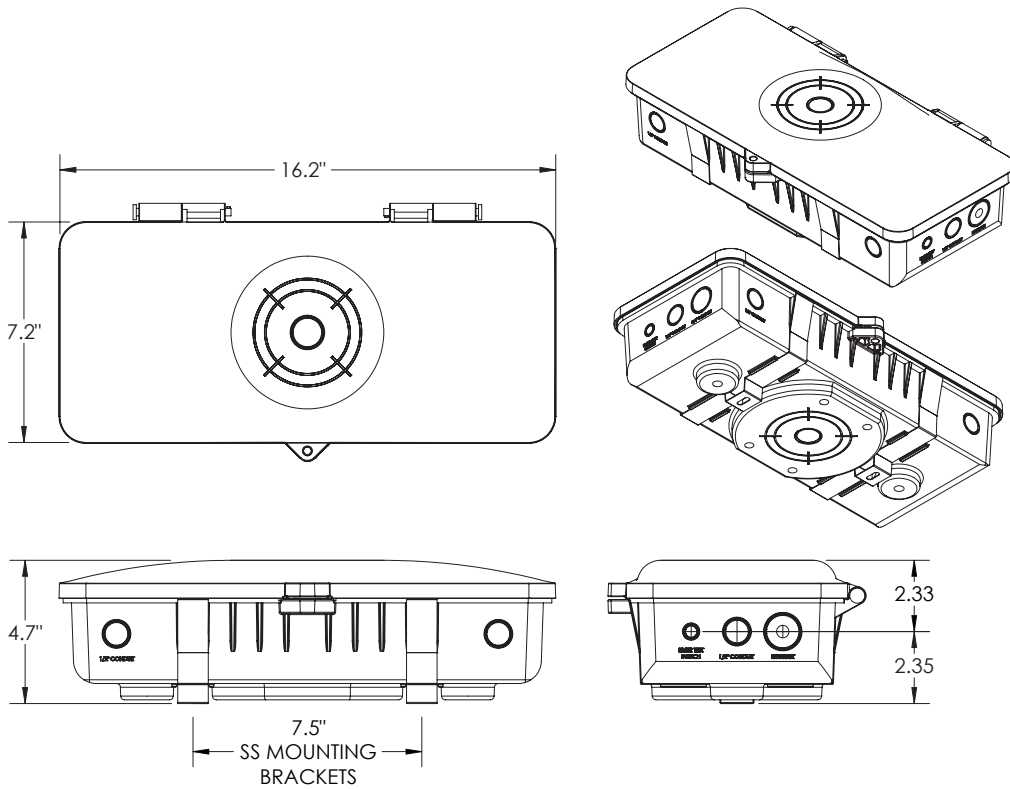
US Commercial Lighting Manufacturer Since 1982

BATTERY BACK-UPS

BBUR - BATTERY BACK-UP & LED DRIVER REMOTE (INDOOR), IP20, IK08, NEMA 1, 0°C to +48°C, 30' MAX Distance with 12AWG (w/UNV Option Only)



BBUX - BATTERY BACK-UP & LED DRIVER REMOTE (OUTDOOR), IP67, IK10, NEMA 4X, -20°C to +55°C, 30' MAX Distance with 12AWG (w/UNV Option Only)



Due to continuous development and improvements, specifications are subject to change without notice. FC Lighting reserves the right to change lab test details or specifications without notice. Product use certifies agreement to FC terms and conditions.