

FCSL100 Series (FCSL101, 102, 105) - INSTALLATION INSTRUCTIONS pages 1 and 2

CAUTION: BEFORE CONNECTING THE FIXTURE TO A POWER SUPPLY, MAKE SURE THE POWER IS SWITCHED OFF.

FLUSH MOUNT

NOTE: Faceplates

FCSL101, 102, 105 mounts flush to front of Fixture Lip.

GENERAL:

- Before starting the installation, make sure all electricity has been turned off and electrical breaker has been locked out and tagged out.
- To ensure the success of the installation, be sure to read these instructions and review the diagrams thoroughly before beginning.
- All electrical connections must be in accordance with local codes, ordinances, or the National Electrical Code.

NOTE: The important safeguards and instructions appearing in this manual are not meant to cover all possible conditions and situations that may occur.

INSTALLATION INSTRUCTIONS:

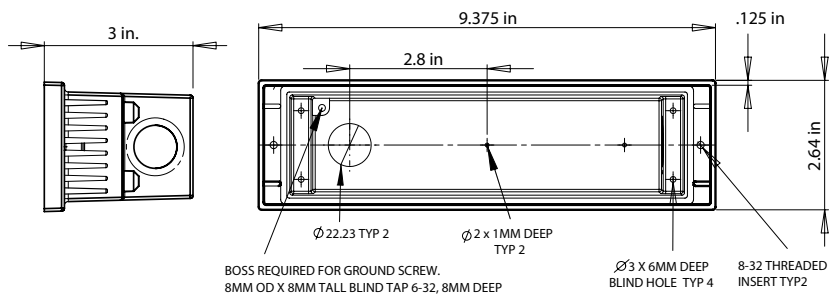
- Remove the two (2) socket head screws holding Lens and Faceplate to fixture. Then remove internal lamping components (guts) from fixture.

FOR CONCRETE POUR: Be sure to level and stabilize fixture. Cover any holes and knockouts on fixture housing to prevent leakage. Seal the fixture to prevent water leakage during operation.

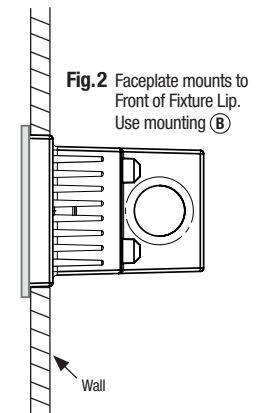
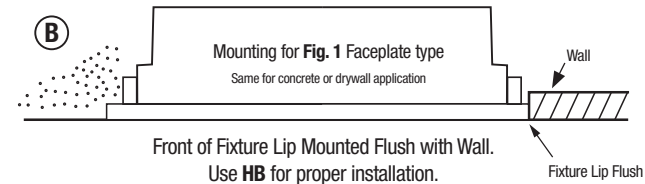
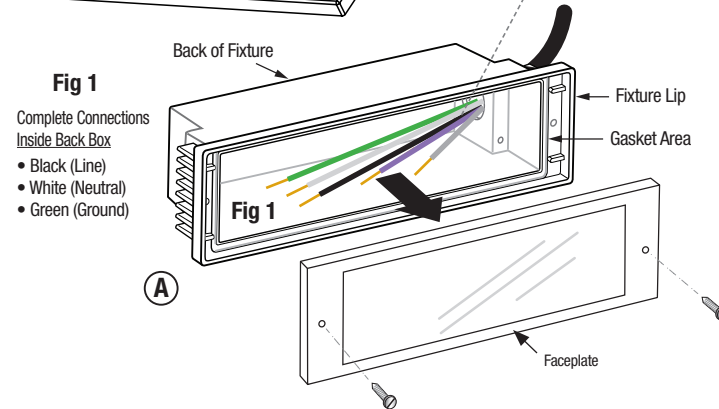
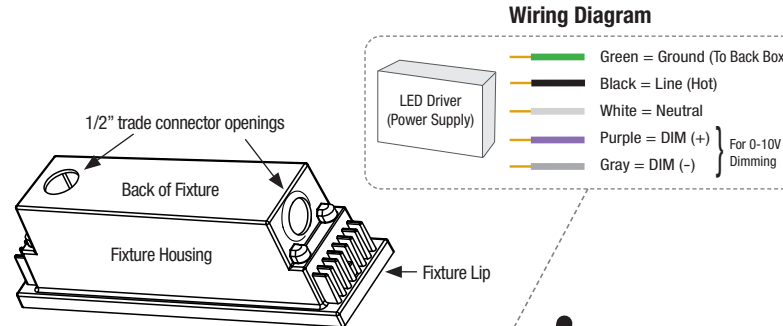
FOR DRYWALL MOUNT: Cut hole in drywall (2-5/8" x 9-3/8") for flush mount of fixture flange to wall surface - See Figure 2.

- Connect conduit or code approved electrical fitting through one of the 7/8" diameter holes on the back or side of the fixture. Secure fixture housing to wall or pour forms - See Page 2.
- Once Back Box is properly set in wall structure, remove Faceplate and Lens assembly from Fixture Housing. Feed power wires through Back Box and into Fixture Housing to complete all NEC, code approved wiring connections. **Fig 1**
- Replace internal components.
- Apply silicone bead and around fixture frame to seal to wall system (wet location only).
- Attach lens and frame, replace two (2) socket screws tightening evenly.
- Restore power and test fixture. If fixture does not turn on, disconnect power before checking for problems.

NOTE: Fixtures are listed for installation with liquid tight or rigid wall conduit only. Fixtures installed without a silicone bead will void the warranty.



DETAILED ILLUSTRATION



FCSL100 Series (FCSL101, 102, 105) - INSTALLATION INSTRUCTIONS continued from page 1

CAUTION: BEFORE CONNECTING THE FIXTURE TO A POWER SUPPLY, MAKE SURE THE POWER IS SWITCHED OFF.

FLUSH MOUNT

DETAILED ILLUSTRATION

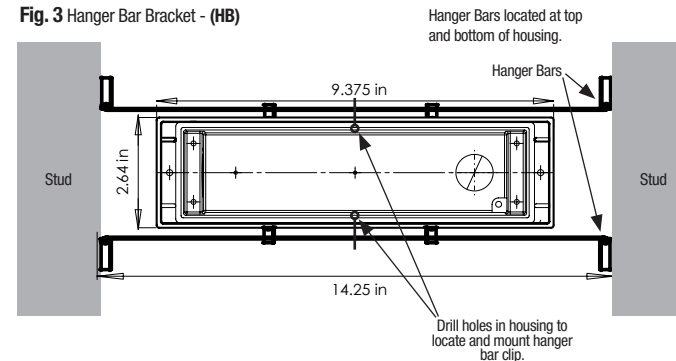
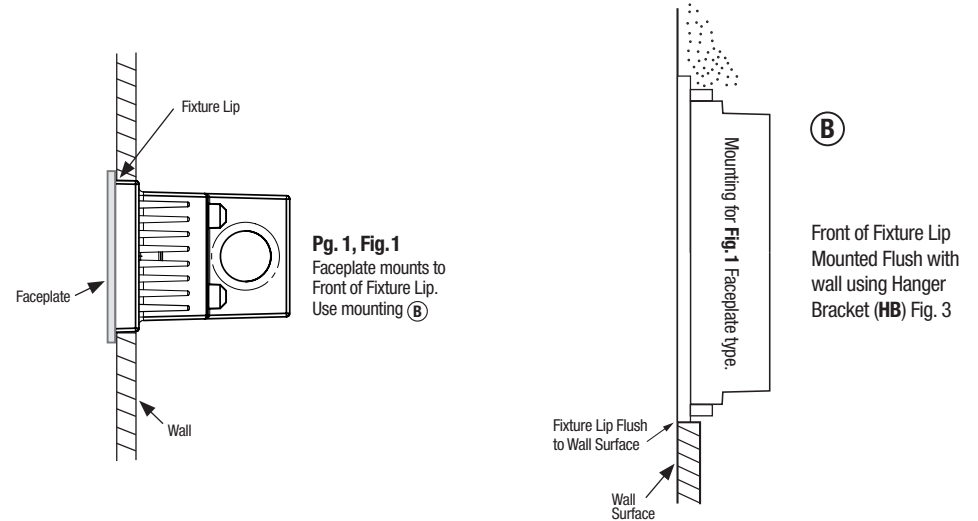
NOTE: Faceplates

FCSL101-FCSL106 mounts flush to front of Fixture Lip.

DETAILED INSTRUCTIONS FOR FOR DRYWALL MOUNT USING HANGER BAR BRACKET:

New Construction, dry or damp locations only.

- 1) Locate fixture between studs: 14.25" min to 22" max spacing between studs.
- 2) Mark height location of bottom edge of step light on vertical studs. Place second mark at 1/4" below this mark.
- 3) With the housing on top of lower bar, locate top edge of hanger bars with lowest mark on studs. Use rounded tab to align bracket to front edge of stud. Fig. 3
- 4) Drill hole in fixture housing and attach hanger bar clip to locate fixture opening flush to wall surface.
- 5) Use screws or nails to attach hanger bar to stud. Expand bar to meet second stud and attach at proper height.
- 6) Attached upper Hanger Bar to fixture and wall studs, similar to lower bar installation.
- 7) Run conduit, Romex, or AFC to housing and make connections. Pull wires to housing.
- 8) Position housing left-to-right and twist c-bracket with pliers to hold in position as needed.
- 9) Install dry wall and route for size of front flange of housing: 9-5/16" x 2-5/16" max opening. *Front edge of housing should be slightly recessed from face of drywall.*
- 10) Return to remaining instructions on page one to complete installation steps.



FCSL100 Series (FCSL108, 110) - INSTALLATION INSTRUCTIONS pages 3 and 4

CAUTION: BEFORE CONNECTING THE FIXTURE TO A POWER SUPPLY, MAKE SURE THE POWER IS SWITCHED OFF.

SURFACE MOUNT

NOTE: Faceplates

FCSL108, FCSL110 fits over (wraps around) Fixture Lip.

GENERAL

1. Before starting the installation, make sure all electricity has been turned off and electrical breaker has been locked out and tagged out.
2. To ensure the success of the installation, be sure to read these instructions and review the diagrams thoroughly before beginning.
3. All electrical connections must be in accordance with local codes, ordinances, or the National Electrical Code.

NOTE: The important safeguards and instructions appearing in this manual are not meant to cover all possible conditions and situations that may occur.

INSTALLATION INSTRUCTIONS:

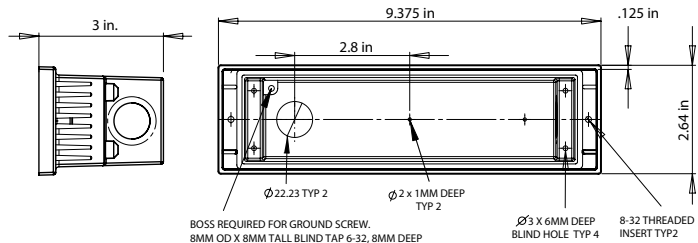
A) Remove the two (2) socket head screws holding Lens and Faceplate to fixture. Then remove internal lamping components (guts) from fixture.

FOR CONCRETE POUR: Be sure to level and stabilize fixture. Cover any holes and knockouts on fixture housing to prevent leakage. Seal the fixture to prevent water leakage during operation.

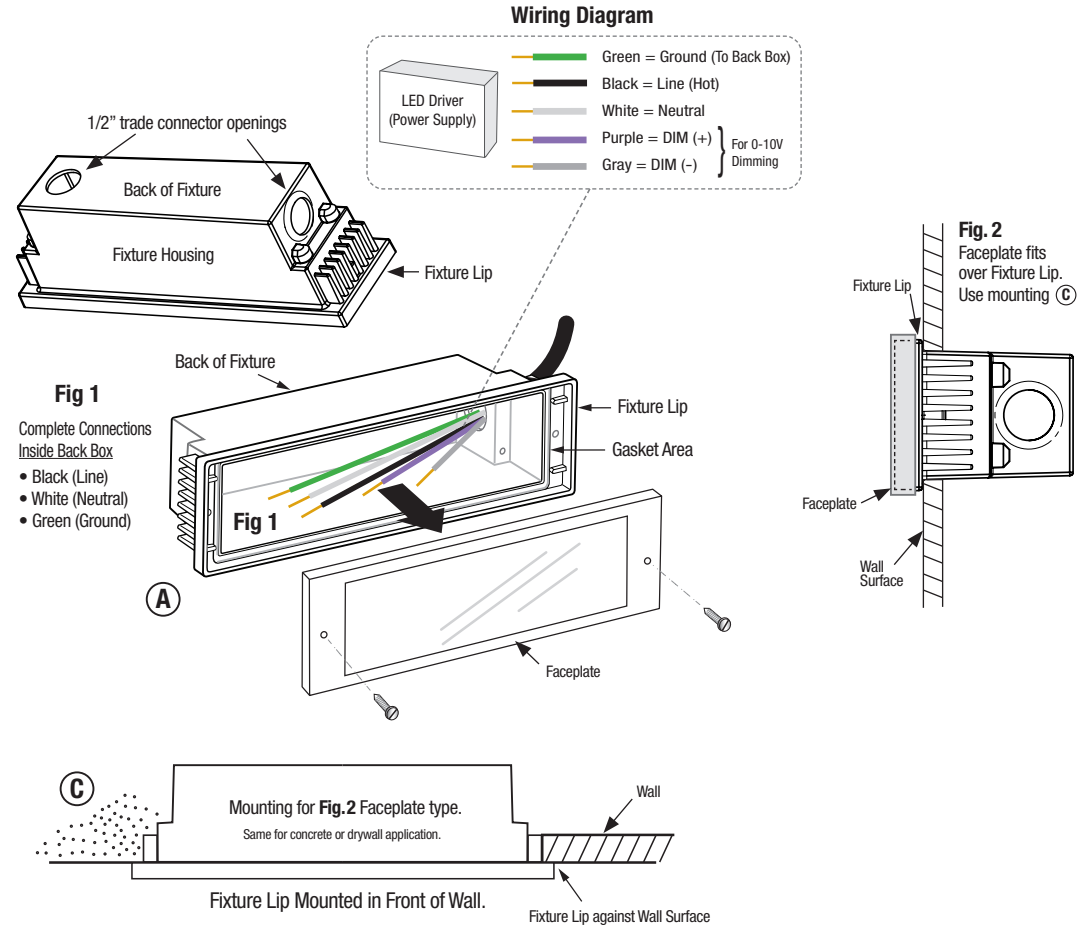
FOR DRYWALL MOUNT: Cut hole in drywall (2-5/8" x 9-3/8") for flush mount (B) or (2-5/16" x 8-5/16") for front mount (C). Refer to detailed instructions on page 2.

- 1) Connect conduit or code approved electrical fitting through one of the 7/8" diameter holes on the back or side of the fixture. Secure fixture housing to forms outside of gasket area.
- 2) Once Back Box is properly set in wall structure, remove Faceplate and Lens assembly from Fixture Housing. Feed power wires through Back Box and into Fixture Housing to complete all NEC, code approved wiring connections. **Fig 1**
- 3) Replace internal components.
- 4) Apply silicone bead around perimeter of housing at Wall Surface.
- 5) Attach lens and frame, replace two (2) socket screws tightening evenly.
- 6) Restore power and test fixture. If fixture does not turn on, disconnect power before checking for problems.

NOTE: Fixtures are listed for installation with liquid tight or rigid wall conduit only. Fixtures installed without a silicone bead will void the warranty.



DETAILED ILLUSTRATION



FCSL100 Series (FCSL108, 110) - INSTALLATION INSTRUCTIONS continued from page 3

CAUTION: BEFORE CONNECTING THE FIXTURE TO A POWER SUPPLY, MAKE SURE THE POWER IS SWITCHED OFF.

SURFACE MOUNT

DETAILED ILLUSTRATION

NOTE: Faceplates - The Faceplate type used determines fixture installation.

FCSL108, FCSL110 fits over (wraps around) Fixture Lip.

GENERAL:

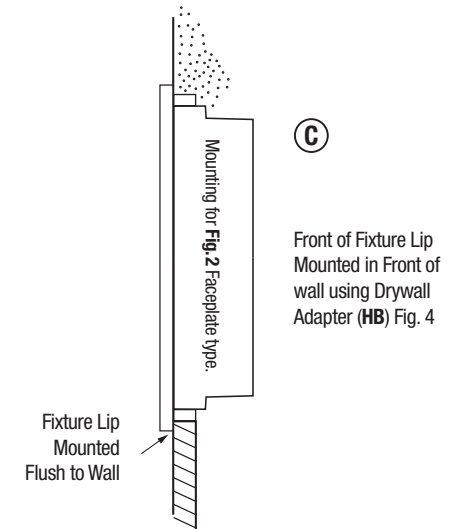
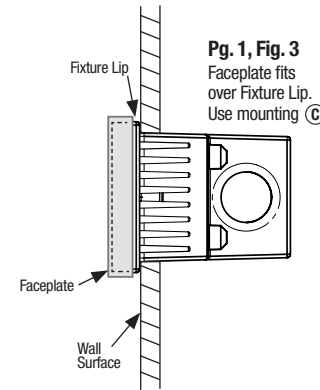
1. Before starting the installation, make sure all electricity has been turned off and electrical breaker has been locked out and tagged out.
2. To ensure the success of the installation, be sure to read these instructions and review the diagrams thoroughly before beginning.
3. All electrical connections must be in accordance with local codes, ordinances, or the National Electrical Code.

NOTE: The important safeguards and instructions appearing in this manual are not meant to cover all possible conditions and situations that may occur.

DETAILED INSTRUCTIONS FOR FOR DRYWALL MOUNT:

New construction, dry or damp locations only.

- 1) Install dry wall and route for size, 8-5/16" x 2-5/16" for front mount.
- 2) Return to remaining instructions on page one to complete installation steps.



CAUTION: BEFORE CONNECTING THE FIXTURE TO A POWER SUPPLY, MAKE SURE THE POWER IS SWITCHED OFF.

STUD WALL INSTALLATION

DETAILED ILLUSTRATION

GENERAL:

1. Before starting the installation, make sure all electricity has been turned off and electrical breaker has been locked out and tagged out.
2. To ensure the success of the installation, be sure to read these instructions and review the diagrams thoroughly before beginning.
3. All electrical connections must be in accordance with local codes, ordinances, or the National Electrical Code.

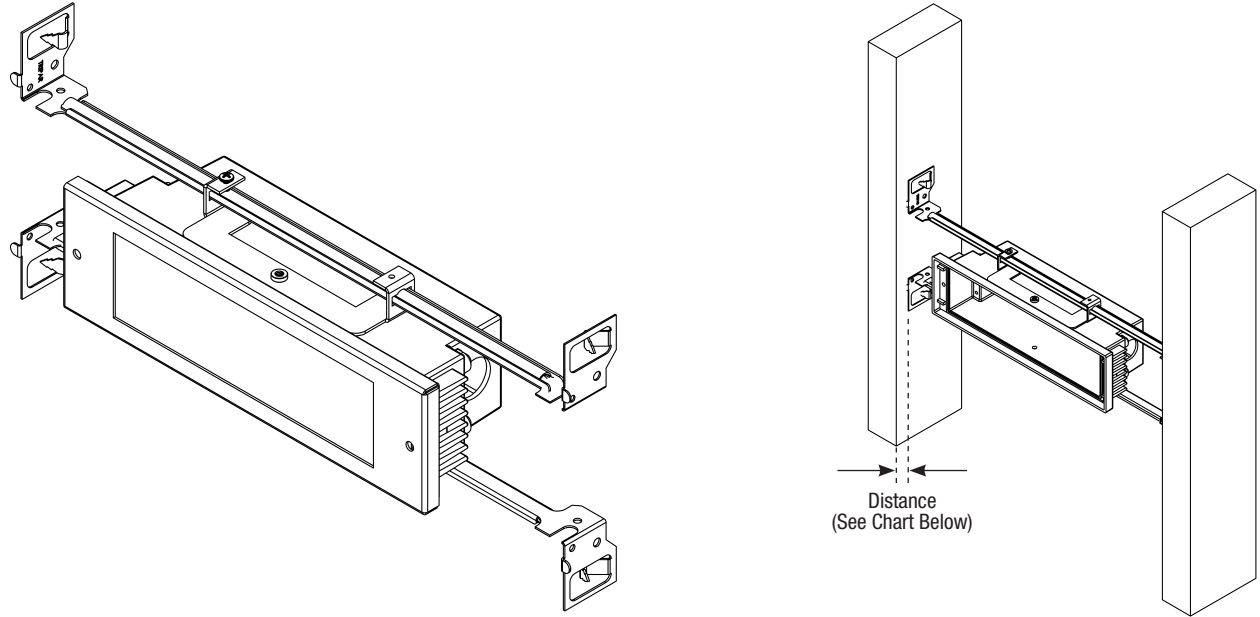
NOTE: The important safeguards and instructions appearing in this manual are not meant to cover all possible conditions and situations that may occur.

STUD WALL INSTALLATION:

1. Hanger Bars will be attached to the Back Box of your fixture already.
2. Adjust front of Hanger Bars to one of the distances listed on the chart (bottom right) based on your dry wall thickness. This is to allow the Faceplate to be installed properly.
3. Fasten bracket to Hanger Bars to studs.

IMPORTANT: All wiring connections must be made in accordance with local electrical codes, ordinances, and the National Electric Code.

DISCLAIMER: All distances are for reference and do not cover all finished wall surfaces. Installer is responsible to position fixture so Face Plate can be mounted properly.



	DISTANCE FROM FRONT OF 2X4 STUD TO FRONT OF HANGER BAR	
DRY WALL THICKNESS	STAINLESS STAIN FACEPLATE	DIECAST FACE PLATE
0.625"	0.2483" (1/4")	0.51" (1/2")
0.5"	0.3733" (3/8")	0.6353" (5/8")
0.375"	0.4983" (1/2")	0.76" (3/4")
0.25"	0.5583" (9/16")	0.8813" (7/8")

CAUTION: BEFORE CONNECTING THE FIXTURE TO A POWER SUPPLY, MAKE SURE THE POWER IS SWITCHED OFF.

POURED CONCRETE INSTALLATION

DETAILED ILLUSTRATION

GENERAL:

1. Before starting the installation, make sure all electricity has been turned off and electrical breaker has been locked out and tagged out.
2. To ensure the success of the installation, be sure to read these instructions and review the diagrams thoroughly before beginning.
3. All electrical connections must be in accordance with local codes, ordinances, or the National Electrical Code.

NOTE: The important safeguards and instructions appearing in this manual are not meant to cover all possible conditions and situations that may occur.

IMPORTANT: Temporarily remove contents from Back Box housing and set aside.

POURED CONCRETE INSTALLATION:

1. Ensure to align face of Back Box no less than 0.05" in front of the finished wall surface.
2. Ensure to align face of Back Box no less than 0.29" in front of the finished wall surface.
2. For additional Composite or Topcoat finish, again ensure front of Back Box is in front of the finished wall surface by the distance stated.

IMPORTANT: All wiring connections must be made in accordance with local electrical codes, ordinances, and the National Electric Code.

