

## FCP664



(Shown with black custom color finish)

**FCP664** 10" Pendant light is an adjustable cable mount fixture with die-cast aluminum shade frame over etched aluminum or glass shade that comes in a variety of color options.



### SPECIFICATIONS

#### PHYSICAL

<b>dimensions</b>	fixture: 9.65" Ø x 11.5" H   mounting plate: 4.25" Ø D x 2.42" H
<b>weight</b>	8 lbs
<b>housing</b>	marine grade, corrosion resistant, heavy guage aluminum
<b>shade</b>	<b>standard:</b> die-cast aluminum shade frame; glass shade with framed tempered etched perimeter glass lens and clear center surface <b>optional:</b> polished exterior, etched aluminum (EA) reflector with anodized etched interior
<b>mounting</b>	mounts directly to standard junction box; grip-lock aviation cable supplied; adjustable cable (8"-120") standard
<b>ingress protection</b>	IP20 : dry locations with neoprene continuous closed cell gasket to seal out contaminants
<b>finish</b>	Six stage cleaning and saline pre-treatment. TGIC polyester powder coat finish

#### PERFORMANCE

<b>color temperature</b>	2700K	3000K	3500K	4000K
<b>lumen output</b>	2000 lm   3000 lm			
<b>lifetime</b>	> 70,000 hours / L70 or better			
<b>color consistency</b>	3 SDCM   85 or 90 CRI			
<b>operating temperature</b>	-13°F to 104°F (-25°C to 40°C)			
<b>junction temperature</b>	73°C @ T <sup>A</sup> 25°C			
<b>warranty</b>	5-Year limited warranty (refer to website for details)			

#### ELECTRICAL

<b>input voltage</b>	Universal 120-277VAC   optional: 347VAC (integral)
<b>power supply</b>	integral Class II, electronic high-power factor > 94% @120V
<b>certifications</b>	ETL / cETL Listed, CEC Title 24 JA8 compliant (only 90CRI)
<b>standards</b>	UL1598/CSA C22.2 No. 250.0; UI 8750/CSA C22.2 No. 250.13/IES LM-79/LM-80
<b>power consumption</b>	28W @ 3000 lm (maximum)   18W @ 2000 lm (minimum)
<b>dimming</b>	LD 0-10V Dimming (1%)   ELV (120V only)

Due to continuous development and improvements, specifications are subject to change without notice. FC Lighting reserves the right to change lab test details or specifications without notice. Product use certifies agreement to FC Lighting terms and conditions. FCC Series Cylinder Lights are engineered and produced in our Illinois manufacturing facility.

# FCP664



(Shown with black custom color finish)

## Ordering Information

### ORDERING INFORMATION

Example: FCP664-UNV-35K-CRI85-30L-CC-EA-LD

FCP664														
SERIES	VOLTAGE		CCT		CRI		LUMENS		FINISH	SHADE COLOR		OPTIONS		
FCP664	UNV	UNV 120V-277V	27K	2700K	CRI85	85 CRI	20L	2000 lm (18W)	CC	Custom Color	EA	Etched Aluminum	LD	0-10V Dimming, 1%
	120V	120V AC	3K	3000K	CRI90	90 CRI	30L	3000 lm (28W)	TG	Textured Gray	WH	White	ELV	ELV Dimming (120V Only)
	347V	347V AC (remote)	35K	3500K										
			4K	4000K										

### REMOTE DRIVER & BATTERY BACKUP

FCP664R														
SERIES	VOLTAGE		CCT		CRI		LUMENS		FINISH	SHADE COLOR		OPTIONS		
FCP664R <sup>†</sup>	UNV	UNV 120V-277V	27K	2700K	CRI85	85 CRI	20L	2000 lm (18W)	CC	Custom Color	EA	Etched Aluminum	LD	0-10V Dimming, 1%
			3K	3000K	CRI90	90 CRI	30L	3000 lm (28W)	TG	Textured Gray	WH	White	BBUR <sup>†</sup>	Battery Backup Remote (Indoor)
			35K	3500K									N/A	Leave Blank for Remote Driver Only (without Battery Backup)
			4K	4000K										

<sup>†</sup> LED DRIVER REMOTE (INDOOR) IP20, IK08, NEMA 1, -20°C to +50°C, 30' MAX Distance with 12AWG.

\*Consult factory for outdoor remote driver only.

<sup>†</sup> Battery Back-up & LED Driver Remote (INDOOR), IP20, IK08, NEMA 1, 0°C to +48°C, 30' MAX Distance with 12AWG (w/UNV Option Only)

## Shade Colors



Etched Aluminum

White

### Consult Factory for other options and configurations.

To ensure you receive proper configurations for your lighting specifications, contact us directly about any unique application requirements. This may include but not be limited to lumen output, mounting needs, or electrical requirements.

Due to continuous development and improvements, specifications are subject to change without notice. FC Lighting reserves the right to change lab test details or specifications without notice. Product use certifies agreement to FC Lighting terms and conditions. FCC Series Cylinder Lights are engineered and produced in our Illinois manufacturing facility.

 US Commercial Lighting Manufacturer Since 1982

© FC Lighting 3609 Swenson Ave. • St. Charles, IL • 60174 | fcighting.com | 800.900.1730

Specification Sheet

AG-JF-111521



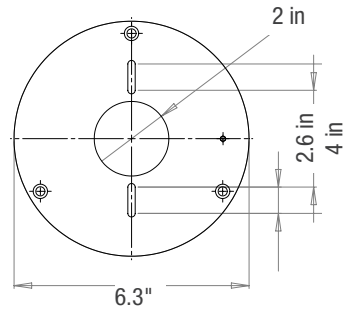
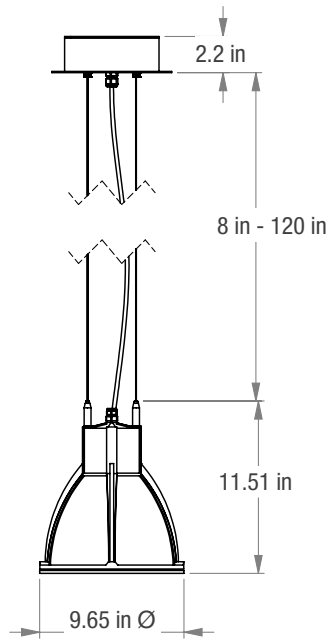
(Shown with black custom color finish)

# Dimensions

**PRODUCT DIMENSIONS - STANDARD PRODUCT** | **MOUNTING - j-box sold by others**

width	9.65" Ø
height (shade)	11.51" H
height (mounting)	2.2" H

mounting plate width	6.3" W
----------------------	--------



2.6" - 4" mounting diameter

j-box mounting plate: included with fixture and mounts flush to surface

Due to continuous development and improvements, specifications are subject to change without notice. FC Lighting reserves the right to change lab test details or specifications without notice. Product use certifies agreement to FC Lighting terms and conditions. FCC Series Cylinder Lights are engineered and produced in our Illinois manufacturing facility.

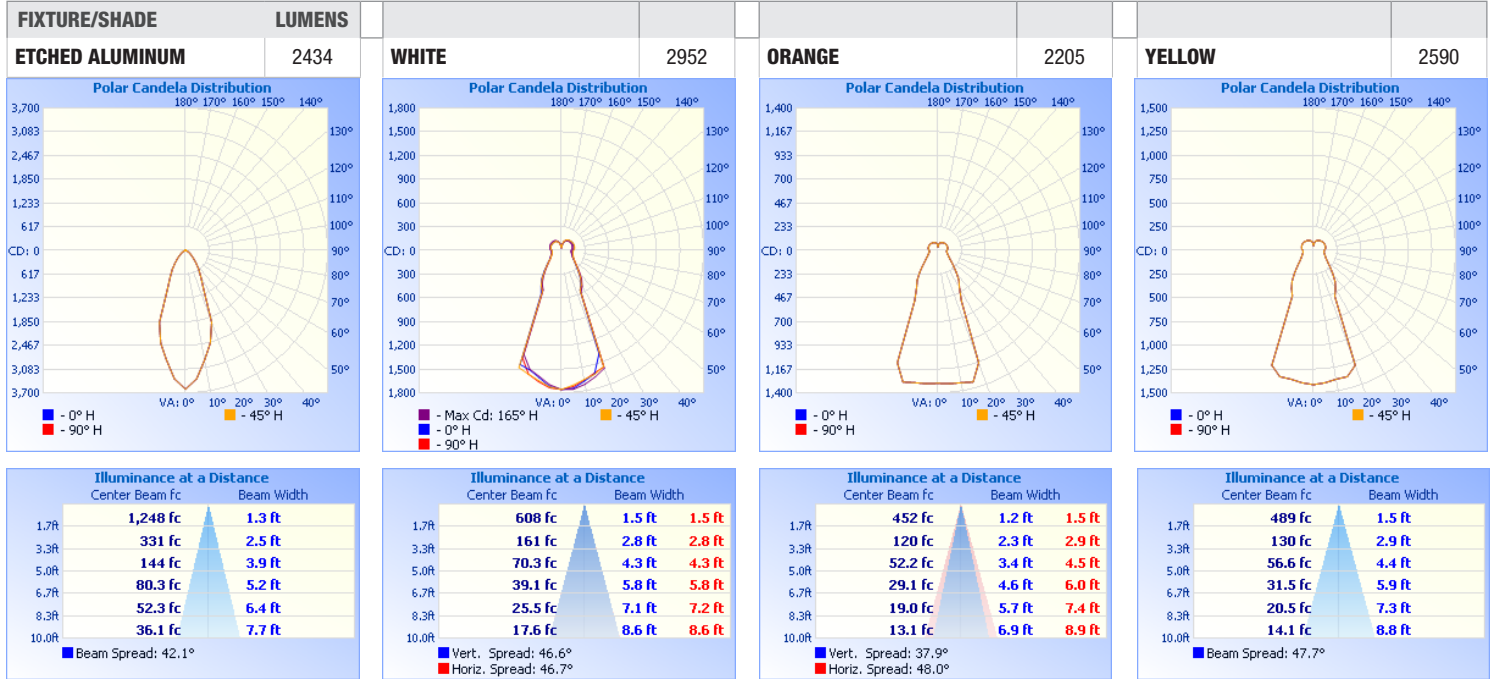
# Photometry

## FCP664



(Shown with black custom color finish)

### OPTICAL DISTRIBUTION

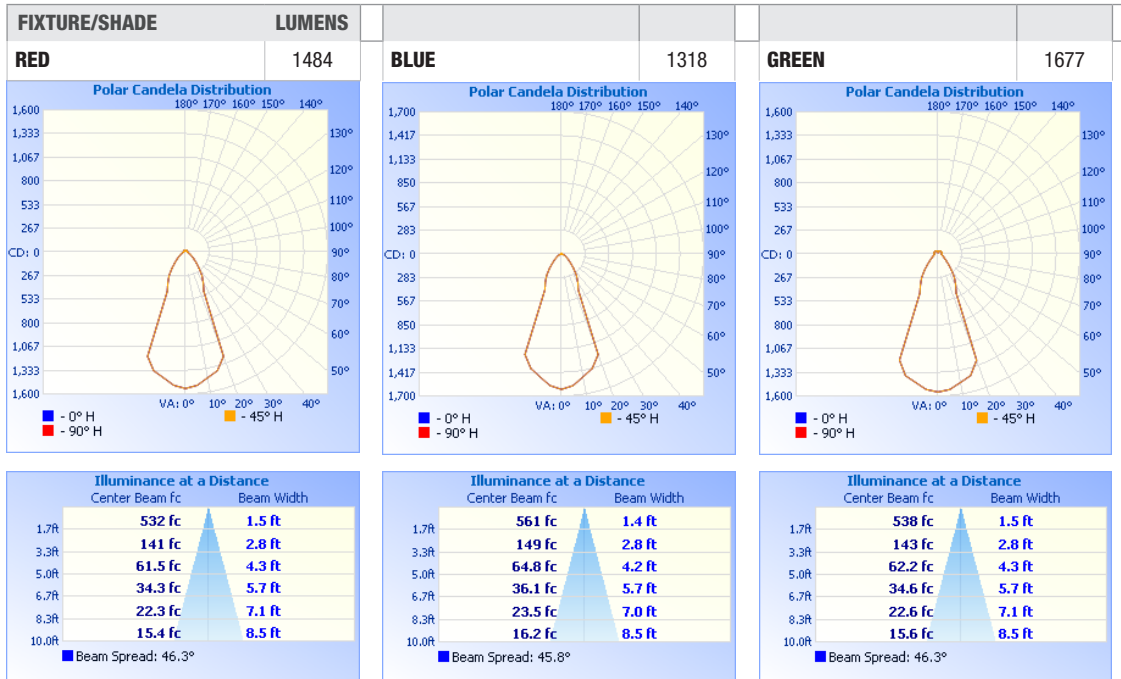


itl illuminations testing laboatory :  
Report #2060

itl illuminations testing laboatory :  
Report #2016

itl illuminations testing laboatory :  
Report #2362

itl illuminations testing laboatory :  
Report #2363



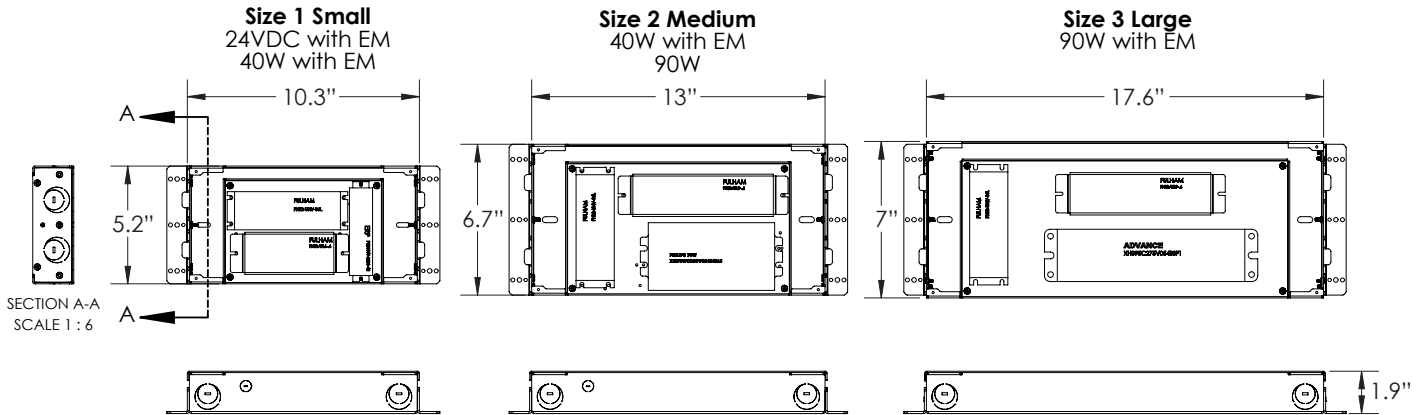
itl illuminations testing laboatory :  
Report #2361

itl illuminations testing laboatory :  
Report #2365

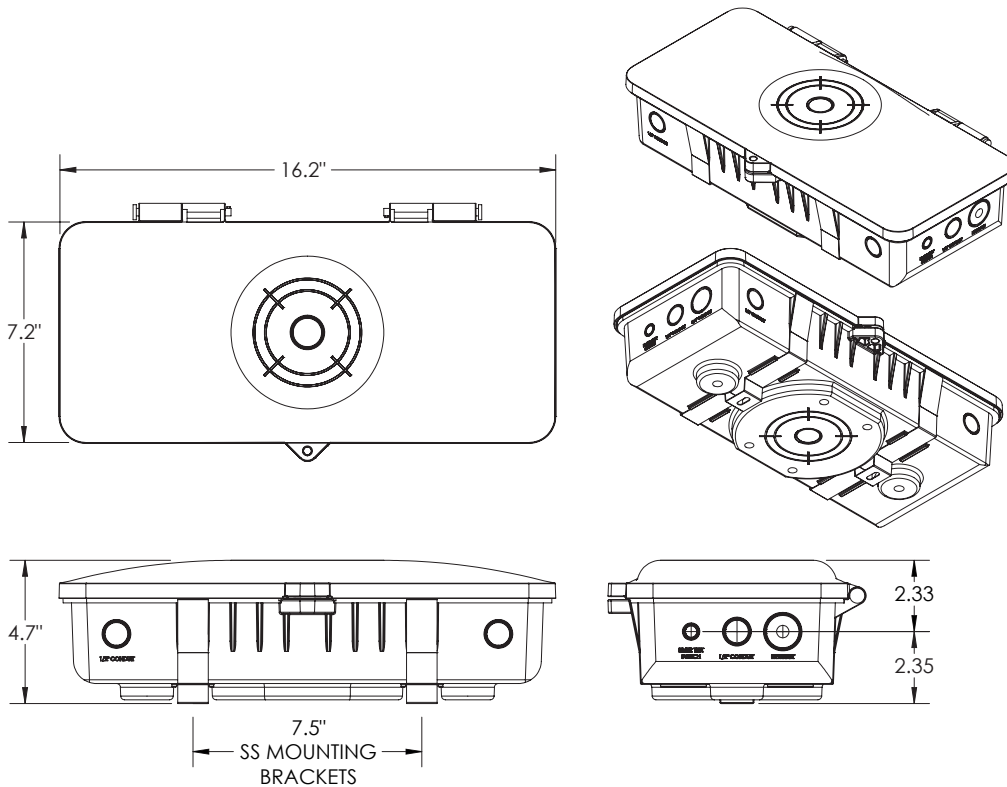
itl illuminations testing laboatory :  
Report #2364

**BATTERY BACK-UPS**

**BBUR - BATTERY BACK-UP & LED DRIVER REMOTE (INDOOR), IP20, IK08, NEMA 1, 0°C to +48°C, 30' MAX Distance with 12AWG (w/UNV Option Only)**



**BBUX - BATTERY BACK-UP & LED DRIVER REMOTE (OUTDOOR), IP67, IK10, NEMA 4X, -20°C to +55°C, 30' MAX Distance with 12AWG (w/UNV Option Only)**



Due to continuous development and improvements, specifications are subject to change without notice. FC Lighting reserves the right to change lab test details or specifications without notice. Product use certifies agreement to FC Lighting terms and conditions. FCC Series Cylinder Lights are engineered and produced in our Illinois manufacturing facility.