

FCI-T Series Recessed Inground – INSTALLATION INSTRUCTIONS

CAUTION: BEFORE CONNECTING THE LUMINAIRE TO A POWER SUPPLY, MAKE SURE THE POWER IS SWITCHED OFF.



FC
OUTDOOR LIGHTING

t 800.900.1730
3609 Swenson Ave.
St. Charles, IL 60174

J-BOX RECOMMENDATION: NEMA 6P Rated Box to be provided by others.

GENERAL

1. Before starting the installation, make sure all electricity has been turned off and electrical breaker has been locked out and tagged out.
2. To ensure the success of the installation, be sure to read these instructions and review the diagrams thoroughly before beginning.
3. All electrical connections must be in accordance with local codes, ordinances or the National Electrical Code.

NOTE: The important safeguards and instructions appearing in this manual are not meant to cover all possible conditions and situations that may occur.

NOTE: A French drain is required for landscaping and paver applications:
Improperly installed luminaires will void warranty.

INSTALLATION INSTRUCTIONS:

- 1) Ensure proper drainage is arranged to avoid accumulation of water around the luminaire. A french drain is recommended in clay-rich soil. Add several inches of stone or gravel to the housing as illustrated in **FIG-3** on page 2.
- 2) Prior to install, remove the well housing top cap from the main body via the two 10-24 screws on either side of the cap. Knock out any desired holes. **FIG-1**.
- 3) Affix any necessary waterproof conduit connectors (by others) to well housing main body.
- 4) Insert and set the well housing in the ground. Use the loose top cap to ensure the installation height is within 2cm above grade. This will help promote water run-off.
- 5) Run any wiring throughout the well housing as necessary. Follow all local codes and NEC Standards. Use silicone filled (waterproof) wire nuts when making connections.
- 6) Prior to affixing top-cap, feed the power cable through the well housing and secure to the foam-plug underside with a zip-tie. When the foam plug is removed, the power cable will come with it. **FIG-2**.

WARNING: FAILURE TO SECURE INCOMING POWER CABLE TO FOAM PLUG CAN CREATE INSTALLATION DIFFICULTIES POST-FILLING.

- 7) Secure the top-cap with the two screws. Insert the foam-plug into the the well housing.

DETAILED ILLUSTRATION

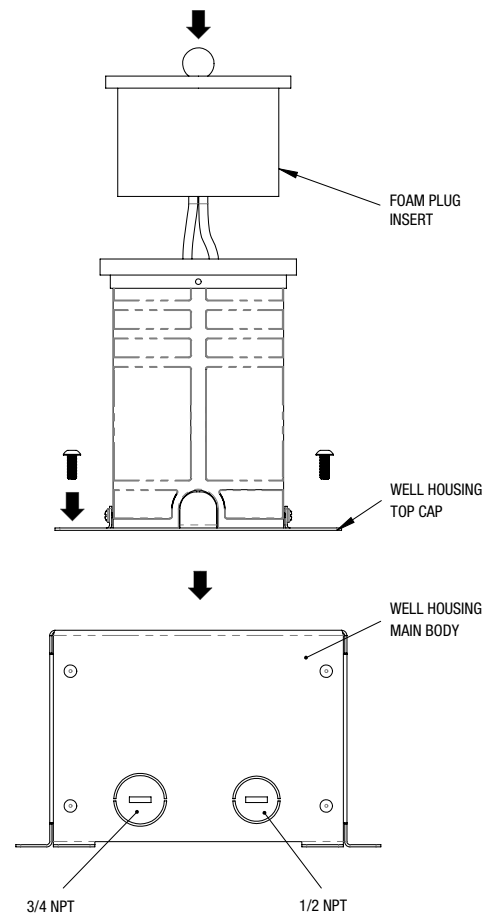


FIG-1

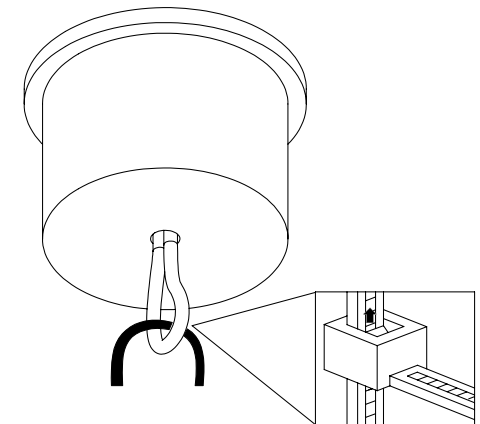


FIG-2

FCI-T Series Recessed Inground – INSTALLATION INSTRUCTIONS

CAUTION: BEFORE CONNECTING THE LUMINAIRE TO A POWER SUPPLY, MAKE SURE THE POWER IS SWITCHED OFF.

J-BOX RECOMMENDATION: NEMA 6P Rated Box to be provided by others.

GENERAL

1. Before starting the installation, make sure all electricity has been turned off and electrical breaker has been locked out and tagged out.
2. To ensure the success of the installation, be sure to read these instructions and review the diagrams thoroughly before beginning.
3. All electrical connections must be in accordance with local codes, ordinances or the National Electrical Code.

NOTE: The important safeguards and instructions appearing in this manual are not meant to cover all possible conditions and situations that may occur.

LUMINAIRE INSTALLATION:

- 1) When ready to install the luminaire, remove the foam plugs from well housings.

NOTE: Keep incoming power-cable attached to the foam plugs until ready to connect luminaire to circuit. This will prevent the wire from falling back into the well housing

- 2) Using waterproof wire nuts, connect the luminaire cable to the incoming power circuit. See **FIG-3**.

Red = VDC +
Black = VDC -

- 3) Prior to installing luminaire into ground, test all units to ensure proper connections.
- 4) When ready, align luminaire above well housing and firmly push downward until top of light luminaire is flush with well housing.



FC
OUTDOOR LIGHTING

t 800.900.1730
3609 Swenson Ave.
St. Charles, IL 60174

DETAILED ILLUSTRATION

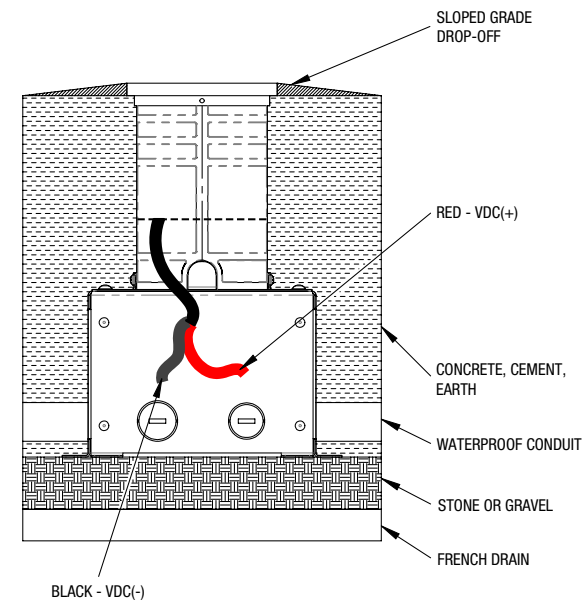


FIG-3

FCI-T Series Recessed Inground – INSTALLATION INSTRUCTIONS

CAUTION: BEFORE CONNECTING THE LUMINAIRE TO A POWER SUPPLY, MAKE SURE THE POWER IS SWITCHED OFF.



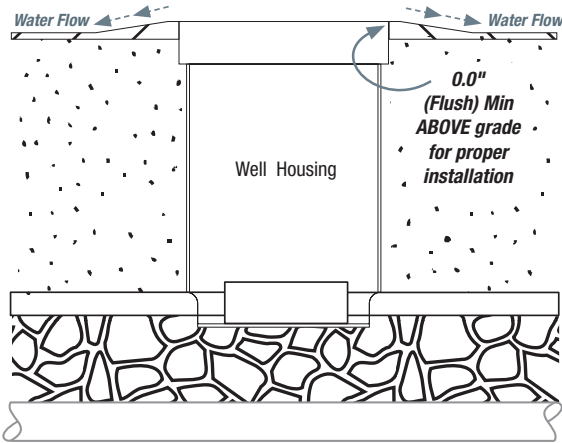
t 800.900.1730
3609 Swenson Ave.
St. Charles, IL 60174

J-BOX RECOMMENDATION: NEMA 6P Rated Box to be provided by others.

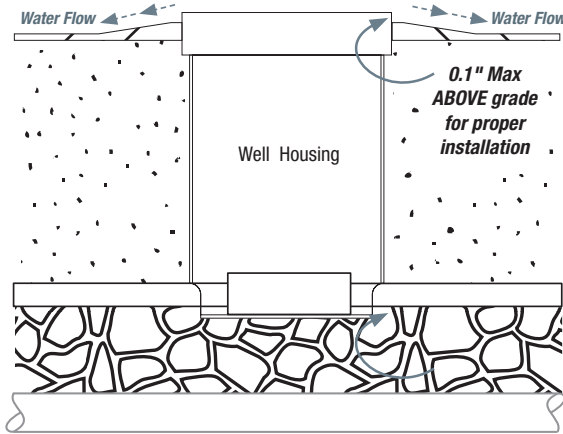
SIDE VIEWS:



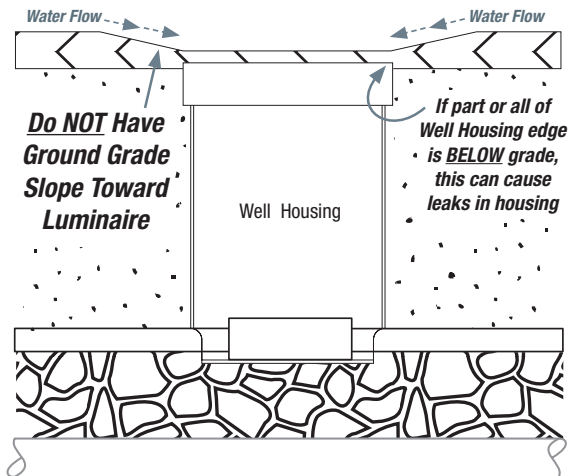
CORRECT: WELL HOUSING FLUSH TOP



CORRECT: WELL HOUSING ABOVE GRADE



NOT CORRECT: WELL HOUSING BELOW GRADE



TOP VIEW:



SURROUNDING GRADE MUST DROP-OFF WITHIN 12" OF LUMINAIRE

CHECK ALL AROUND WELL HOUSING FOR ABOVE GRADE AND DRAINAGE AWAY FROM LUMINAIRE

