

Date: _____

Type: _____

Fixture: _____

Project: _____

Approved:

FCD23



FCD23 Exterior Decor fixture is a 2.20" diameter IP67 rated inground fixture. Easy to maintain fixture that has impact resistant lens and face options to meet the design requirements of your building.



SPECIFICATIONS

PHYSICAL

beam spread	Flood
dimensions	Fixture w/ Well Housing: 2.20" Ø x 4.25" D
weight	.5 lbs
housing	Marine grade, corrosion resistant, heavy guage aluminum
lens	3/8" thick clear tempered glass
mounting	Concrete pour installation (mounting sleeve included) - drainage required (Improperly installed fixtures will void warranty)
ingress protection	IP67 : dry, damp or wet locations with neoprene continuous closed cell gasket to seal out contaminants
finish	304 machined stainless steel faceplate

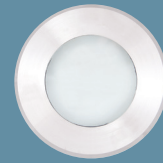
PERFORMANCE

color temperature	3000K	3500K	4000K
lumen output	90 lm		
lifetime	> 70,000 hours / L70 or better		
color consistency	3 SDCM /CRI typical 85 optional: 90+ CRI		
operating temperature	-13°F to 104°F (-25°C to 40°C)		
warranty	5 year limited warranty (refer to website for details)		

ELECTRICAL

input voltage	12V AC
power supply	NOT INCLUDED - SUPPLIED BY OTHERS
certifications	ETL/cETL Listed
standards	UL1598/CSA C22.2 No. 250.0; UI 8750/CSA C22.2 No. 250.13/IES LM-79/LM-80
power consumption	3W @ 12V AC
transformer	12V AC, 60W max - not included - supplied by others: Recommended GE66938-LET60W12V

Due to continuous development and improvements, specifications are subject to change without notice. Solid State Luminaires reserves the right to change lab test details or specifications without notice. Product use certifies agreement to Solid State Luminaires terms and conditions. SSL Series Cylinder Lights are engineered and produced in our Illinois manufacturing facility.

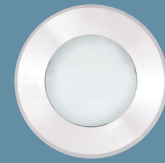


Ordering Information

ORDERING INFORMATION

SERIES	VOLTAGE	CCT	LUMENS	CRI	FINISH	LED OPTICS
FCD23	12V		09L		SS	
FCD23	12V AC <i>(transformer supplied by others)</i>	3K 3000K 35K 3500K 4K 4000K	09L 90 lm (3W)	CRI85 85 CRI (standard) CRI90 90 CRI	SS Stainless Steel	FL Flood

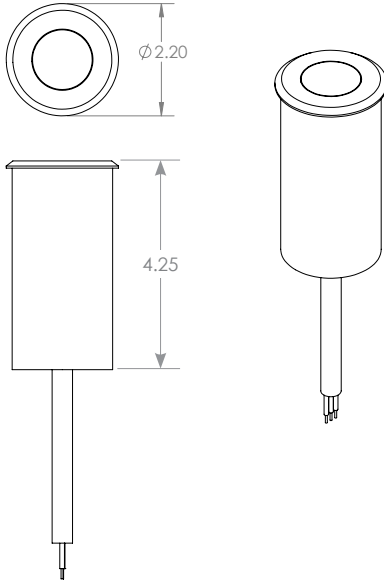
Due to continuous development and improvements, specifications are subject to change without notice. Solid State Luminaires reserves the right to change lab test details or specifications without notice. Product use certifies agreement to Solid State Luminaires terms and conditions. SSL Series Cylinder Lights are engineered and produced in our Illinois manufacturing facility.



PRODUCT DIMENSIONS - FIXTURE W/ WELL HOUSING

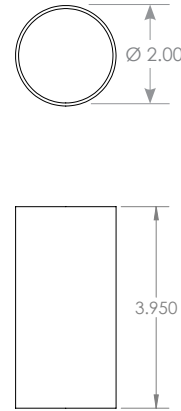
width	outside diameter \varnothing 2.20"
depth	4.25" D

marine grade aluminum housing with 316 stainless steel faceplate



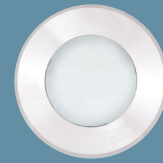
MOUNTING - *mounting sleeve included, one per fixture*

Well Housing width	\varnothing 2.00"
Well Housing depth	3.95" D



french drain required for proper installation, see installation instructions

Due to continuous development and improvements, specifications are subject to change without notice. Solid State Luminaires reserves the right to change lab test details or specifications without notice. Product use certifies agreement to Solid State Luminaires terms and conditions. SSL Series Cylinder Lights are engineered and produced in our Illinois manufacturing facility.



Photometry

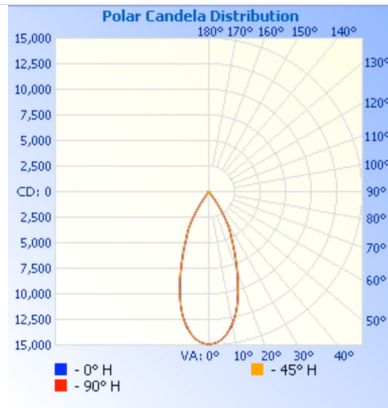
OPTICAL DISTRIBUTION

FLOOD DISTRIBUTION

beam spread | Flood

Illuminance at a Distance		
	Center Beam fc	Beam Width
1.7R	1,001 fc	1.8 ft
3.3R	266 fc	3.5 ft
5.0R	116 fc	5.3 ft
6.7R	64.4 fc	7.1 ft
8.3R	42.0 fc	8.8 ft
10.0R	28.9 fc	10.6 ft

illuminations testing laboratory :
Report FCD-12VDC-4K-80-FL-SS



Due to continuous development and improvements, specifications are subject to change without notice. Solid State Luminaires reserves the right to change lab test details or specifications without notice. Product use certifies agreement to Solid State Luminaires terms and conditions. SSL Series Cylinder Lights are engineered and produced in our Illinois manufacturing facility.