

<b>Date:</b>	<b>Approved:</b>
<b>Type:</b>	
<b>Fixture:</b>	
<b>Project:</b>	

## FCC813A Series



Wildlife Lighting Certified  
by the Florida Fish & Wildlife  
Conservation Commission

**FCC813A Series Cylinders** are a round wall, surface, or pendant mounted die-cast aluminum cylinder with wildlife friendly amber LED. FCC813A has a true AMBER LED option which uses AlInGaP chip technology to produce amber color with spectral control between 590-600nm above the 560nm required by Florida Fish & Wildlife Conservation Commission (FWC).

### SPECIFICATIONS

#### PHYSICAL

<b>beam spread</b>	Spot
<b>dimensions</b>	Diameter: 7.35", Height: 13.95"
<b>weight</b>	7 lbs
<b>housing</b>	Heavy-walled, extruded aluminum housing with die-cast lens ring and cap with stainless steel hardware
<b>lens</b>	IK05 impact compliant, clear anti-glare tempered glass
<b>mounting</b>	Mounts directly to standard recessed junction box, additional holes allow unit to be attached directly to mounting surface. Not intended for open ceilings or surface mount conduit j-box applications. Recessed j-box must be flush with finished wall or ceiling surface.
<b>ingress protection</b>	Continuous silicone gasket to seal out contaminants, IP65 rated for dry, damp or wet locations. SF option rated IP65 for cover ceiling application only.
<b>finish</b>	Available in Black, Bronze, Graphite Grey, Silver, White and Custom Colors. Six stage chemical iron phosphate conversion pre-treatment. Polyester powder coat finish, 18 µm minimum, 5,000 hour salt spray test (ASTM B117) compliant with Florida / AAMA 2604 specification.

#### PERFORMANCE

<b>color temperature</b>	AMBER (no light below 560nm wavelength)
<b>lumen output (nominal)</b>	350 lm
<b>lumen maintenance</b>	L70 > 70,000 hours
<b>color consistency</b>	2 SDCM, 83 CRI
<b>operating temperature</b>	-4°F to 122°F (-20°C to 50°C)
<b>warranty</b>	5-Year limited warranty

#### ELECTRICAL

<b>input voltage</b>	Universal 120 - 277 VAC
<b>power supply</b>	Integral Class II, electronic high-power factor > 94%
<b>certification</b>	ETL / cETL Listed, Wildlife Friendly Lighting Certification #2018-049
<b>standards</b>	UL 1598 / CSA C22.2 No. 250.0 - Class II / IES LM-79 / LM-80
<b>power consumption</b>	6.4W @ 120V
<b>dimming</b>	<b>Standard:</b> TD Tri-Dim (UNV Only), (1%, 0-10V, 120 - 277 VAC), (1%, TRIAC & ELV, 120 VAC Only)

Due to continuous development and improvements, specifications are subject to change without notice.  
Product use certifies agreement to FC Lighting terms and conditions.



# FCC813 Series

## ORDERING INFORMATION

FCC813A			UNV	AM	4L		SP	
MODEL	MOUNTING	SUSPENSION LENGTH	VOLTAGE	CCT	LUMENS (nominal)	FINISH	OPTICS	OPTIONS
<b>FCC813A</b>	<b>SF</b> Surface  <b>WM</b> Wall <b>SPM</b> Pendant	<i>(Note in Inches)</i>	<b>UNV</b> 120 - 277 VAC	<b>AM</b> Amber (590 - 600nm)	<b>4L</b> 350 lm (6.4W)	<b>BKE</b> Black  <b>BRE</b> Bronze <b>GRE</b> Graphite Grey <b>WHE</b> White <b>SLE</b> Silver <b>CCE</b> Custom Color	<b>SP</b> Spot	<b>TD</b> Tri-Dim (UNV Only) (1%, 0-10V, 120 - 277 VAC), (1%, TRIAC & ELV, 120V Only)  <b>CV</b> Cut Off Visor

## REMOTE DRIVER & BATTERY BACKUP

FCC813AR			UNV	AM	4L		SP	
MODEL	MOUNTING	SUSPENSION LENGTH	VOLTAGE	CCT	LUMENS (nominal)	FINISH	OPTICS	OPTIONS
<b>FCC813AR<sup>†</sup></b>	<b>SF</b> Surface  <b>WM</b> Wall <b>SPM</b> Pendant	<i>(Note in Inches)</i>	<b>UNV</b> 120 - 277 VAC	<b>AM</b> Amber (590 - 600nm)	<b>4L</b> 350 lm (6.4W)	<b>BKE</b> Black  <b>BRE</b> Bronze <b>GRE</b> Graphite Grey <b>WHE</b> White <b>SLE</b> Silver <b>CCE</b> Custom Color	<b>SP</b> Spot	<b>TD</b> Tri-Dim (UNV Only) (1%, 0-10V, 120 - 277 VAC), (1%, TRIAC & ELV, 120V Only)  <b>CV</b> Cut Off Visor <b>BBUR<sup>1</sup></b> Battery Backup Remote (Indoor) <b>BBUX<sup>2</sup></b> Battery Backup Remote (Outdoor) <b>N/A</b> Leave Blank for Remote Driver Only (without Battery Backup)

<sup>†</sup> LED DRIVER REMOTE (INDOOR) IP20, IK08, NEMA 1, -20°C to +50°C, 30' MAX Distance with 12AWG.

\*Consult factory for outdoor remote driver only.

<sup>1</sup> Battery Back-up & LED Driver Remote (INDOOR), IP20, IK08, NEMA 1, 0°C to +48°C, 30' MAX Distance with 12AWG (w/UNV Option Only)

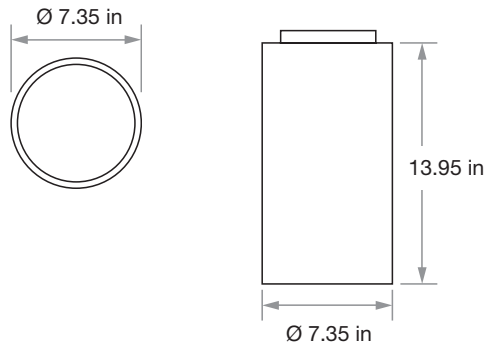
<sup>2</sup> Battery Back-up & LED Driver Remote (OUTDOOR), IP67, IK10, NEMA 4X, -20°C to +55°C, 30' MAX Distance with 12AWG (w/UNV Option Only)

Due to continuous development and improvements, specifications are subject to change without notice. Product use certifies agreement to FC Lighting terms and conditions.

**PHYSICAL**

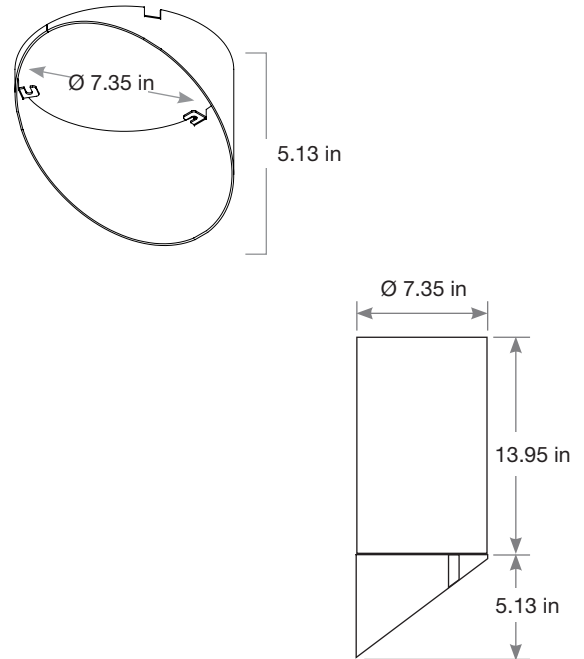
**PRODUCT DIMENSIONS**

<b>Diameter</b>	Ø 7.35"
<b>Height (H)</b>	13.95"



**CUT OFF VISOR**

<b>CV - cut-off visor</b>	5.13" D
<b>Total fixture height</b>	H + 5.13" D



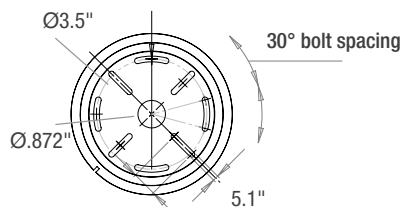
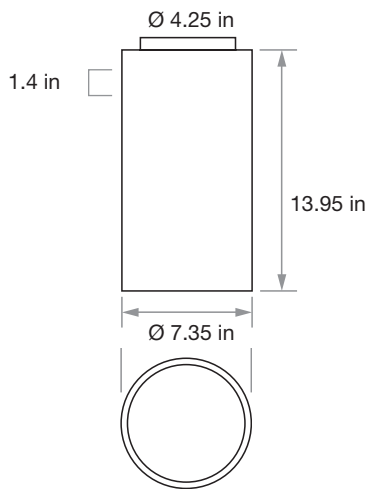
Due to continuous development and improvements, specifications are subject to change without notice.  
Product use certifies agreement to FC Lighting terms and conditions.

# Physical

## MOUNTING OPTIONS

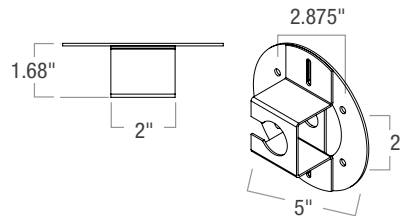
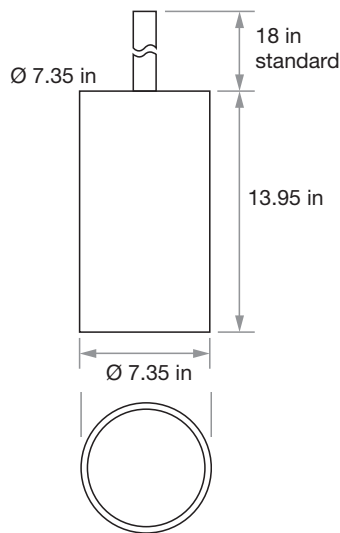
### SURFACE MOUNT

<b>SF - surface mount</b>	4.25" W
<b>add to fixture height</b>	1.4"



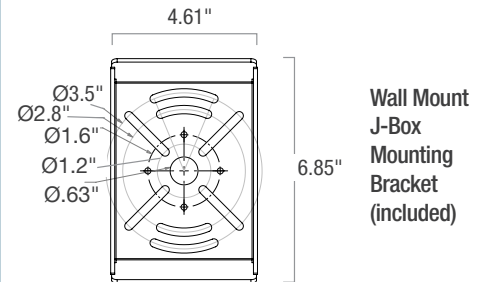
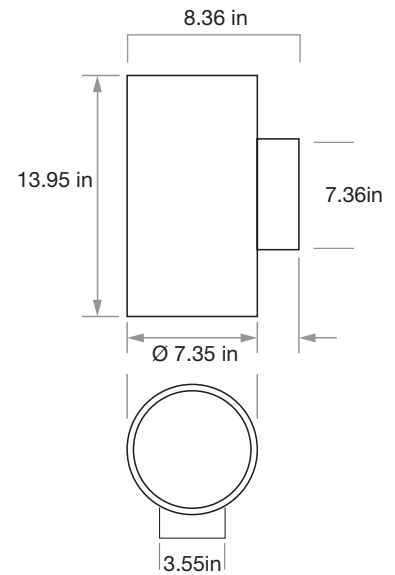
### SLOPE PENDANT MOUNT

<b>SPM - pendant mount</b>	18"
<b>add to fixture height</b>	18"



### WALL MOUNT

<b>WM - wall mount</b>	2.05" D
<b>total fixture depth</b>	8.36" D

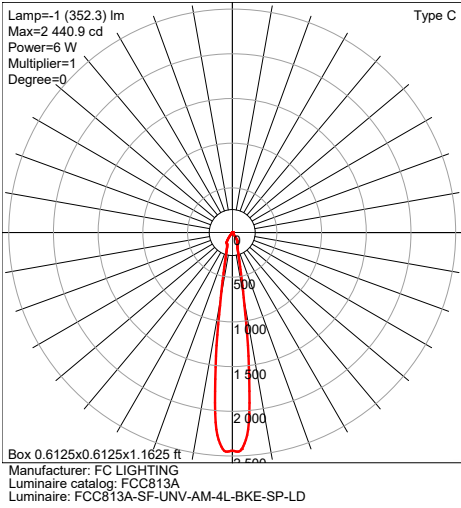


Wall Mount  
J-Box  
Mounting  
Bracket  
(included)

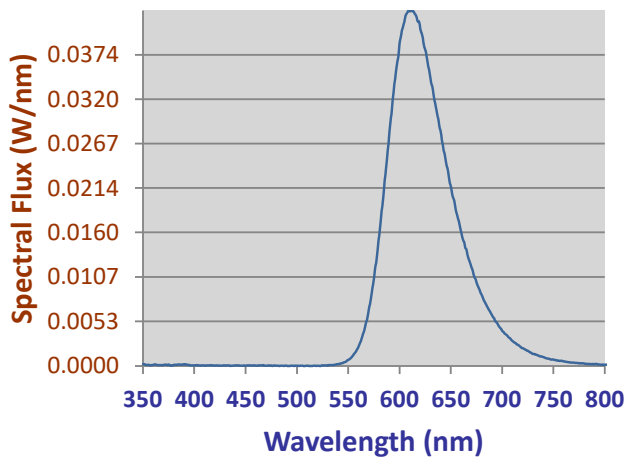
Due to continuous development and improvements, specifications are subject to change without notice. Product use certifies agreement to FC Lighting terms and conditions.

# Photometry

## OPTICAL DISTRIBUTION



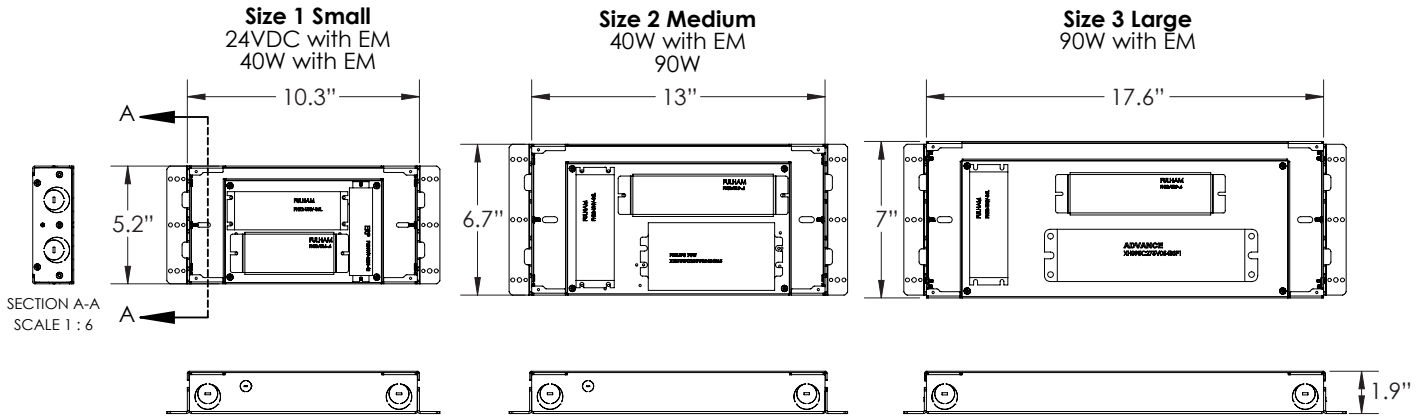
## Relative Spectral Power Distribution



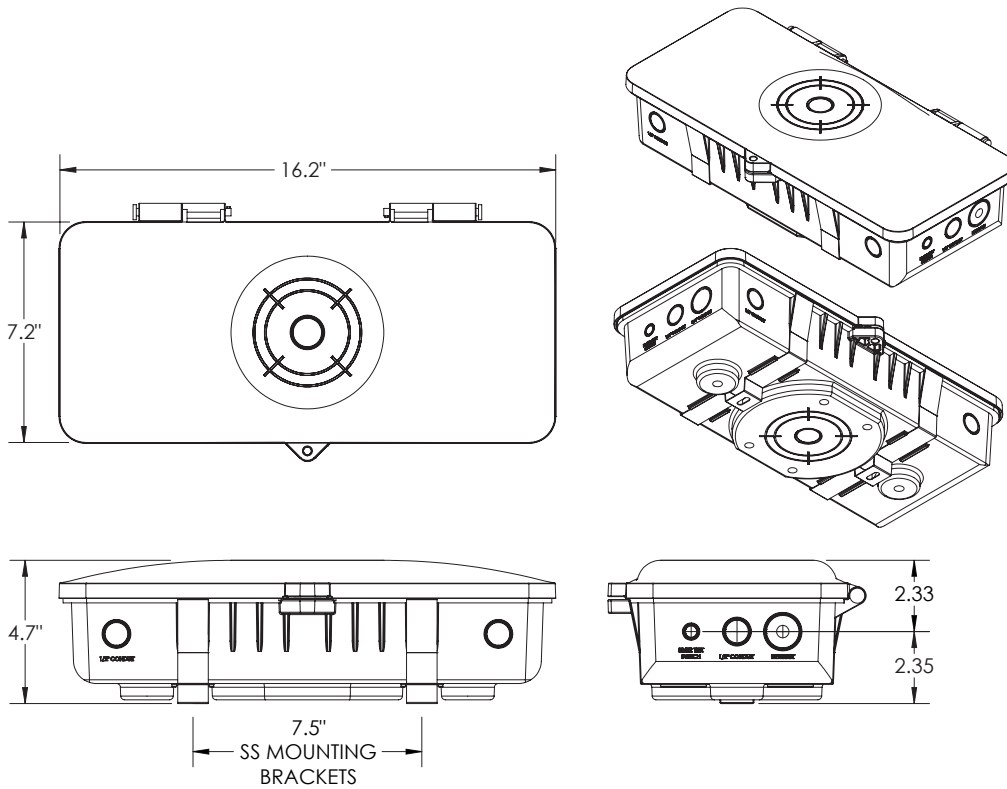
Due to continuous development and improvements, specifications are subject to change without notice.  
 Product use certifies agreement to FC Lighting terms and conditions.

**BATTERY BACK-UPS**

**BBUR - BATTERY BACK-UP & LED DRIVER REMOTE (INDOOR), IP20, IK08, NEMA 1, 0°C to +48°C, 30' MAX Distance with 12AWG (w/UNV Option Only)**



**BBUX - BATTERY BACK-UP & LED DRIVER REMOTE (OUTDOOR), IP67, IK10, NEMA 4X, -20°C to +55°C, 30' MAX Distance with 12AWG (w/UNV Option Only)**



Due to continuous development and improvements, specifications are subject to change without notice.  
Product use certifies agreement to FC Lighting terms and conditions.