



## FCBT690S



<b>Date:</b>	<b>Approved:</b>
<b>Type:</b>	
<b>Fixture:</b>	
<b>Project:</b>	

FCBT690S Exterior die-cast aluminum bollard with right angle head position tower. 24" high, making this bollard a lower profile version in the FCBT690 family. Designed and built to illuminate the ground and/or pathways safely without glare. FCBT690S has a wide-throw beam pattern covering 22'-26' wide and still measuring greater than 1 foot candle. It also has a forward throw of approximately 12 feet.

### SPECIFICATIONS

#### PHYSICAL

<b>dimensions</b>	24"H x 5"W x 6.5"D at top (2"D at base)
<b>weight</b>	8 lbs
<b>housing</b>	Marine grade, corrosion resistant, heavy gauge aluminum
<b>lens</b>	Impact resistant, UV stabilized, clear, polycarbonate diffuser
<b>mounting</b>	Heavy wall base bracketing for bollard installation provides a unique mounting solution, so the tower body anchors flush to the ground without the appearance of a base plate, anchor bolts included
<b>ingress protection</b>	IP66: dry, damp, or wet locations
<b>finish</b>	Available in Black, Bronze, Graphite Grey, Silver, White and Custom Colors. Six stage chemical iron phosphate conversion pre-treatment. Polyester powder coat finish, 18 µm minimum, 5,000 hour salt spray test (ASTM B117) compliant with Florida / AAMA 2604 specification.

#### PERFORMANCE

<b>color temperature</b>	2700K, 3000K, 3500K, 4000K
<b>lumen output</b>	844 lm
<b>lumen maintenance</b>	L70 > 70,000 hours
<b>color consistency</b>	3 SDCM / 85CRI
<b>operating temperature</b>	-13°F to 104°F (-25°C to 40°C)
<b>warranty</b>	5-Year limited warranty

#### ELECTRICAL

<b>input voltage</b>	Universal 120 - 277 VAC, optional: 347 VAC
<b>power supply</b>	Integral Class II, electronic, high power factor > 94% @ 120V
<b>certification</b>	ETL/cETL Listed
<b>standards</b>	UL1598 / CSA C22.2 No. 250.0; UI 8750 / CSA C22.2 No. 250.13 / IES LM-79 / LM-80
<b>power consumption</b>	15W @ 120 - 277 VAC
<b>dimming</b>	standard: 0-10V (10%) optional: ELV (120 VAC Only) / DMX (UNV Only) / DALI (UNV Only)

Due to continuous development and improvements, specifications are subject to change without notice.  
Product use certifies agreement to FC Lighting terms and conditions.



## Ordering Information

### ORDERING INFORMATION

SERIES	VOLTAGE	HEIGHT	COLOR	LUMENS (NOMINAL)	FINISH	OPTIONS
<b>FCBT690S</b>		<b>24</b>				
<b>FCBT690S</b>	<b>UNV</b> 120 - 277 VAC	<b>24</b> 24"	<b>827</b> (85CRI) 2700K	<b>08L</b> 844 lm (15W)	<b>BKE</b> Black	<b>LD</b> 0-10V Dimming (Standard)
	<b>347V</b> 347 VAC		<b>830</b> (85CRI) 3000K		<b>BRE</b> Bronze	<b>ELV</b> ELV Dimming (120V Only)
	<b>120V</b> 120 VAC (ELV Only)		<b>835</b> (85CRI) 3500K	<b>HS<sup>1</sup></b> - 180° House Shield	<b>GRE</b> Graphite Grey	<b>DMX</b> DMX Dimming (UNV Only)
			<b>840</b> (85CRI) 4000K	<b>06L</b> 644 lm (15W)	<b>SLE</b> Silver	<b>DALI</b> DALI Dimming (UNV Only)
				<b>HS<sup>2</sup></b> - 270° House Shield	<b>WHE</b> White	<b>SP20</b> 20kV Surge Protector
				<b>04L</b> 353 lm (15W)	<b>CCE</b> Custom Color	<b>BBU</b> Battery Backup (UNV Only)
						<b>SP20-BBU</b> (2) 20kV Surge Protectors (1/LED Driver, 1/BBU) and Battery Backup (Integral)
						<b>HS<sup>1</sup></b> 180° House Shield
						<b>HS<sup>2</sup></b> 270° House Shield
						<b>LAB<sup>3</sup></b> Less Anchor Bolt Kit - for shipment separate of Anchor Bolt Kit

Lumens specified at 840

### ANCHOR BOLT KITS

**A00690S** Anchor Bolt Kit - Complete Anchor Bolt Kit shipped in advance of luminaire.

<sup>1</sup> **Note:** 06L only available with HS option.

<sup>2</sup> **Note:** 04L only available with HS2 option.

<sup>3</sup> **Note:** Luminaire must be mounted into FC Lighting supplied Anchor Bolt Kit shipped with or separate of luminaire.

### Consult Factory for other options and configurations.

To ensure you receive proper configurations for your lighting specifications, contact us directly about any unique application requirements. This may include but not be limited to lumen output, mounting needs, or electrical requirements.

Due to continuous development and improvements, specifications are subject to change without notice. Product use certifies agreement to FC Lighting terms and conditions.

 US Commercial Lighting Manufacturer Since 1982

© FC Lighting 3609 Swenson Ave. • St. Charles, IL • 60174 | fcighting.com | 800.900.1730

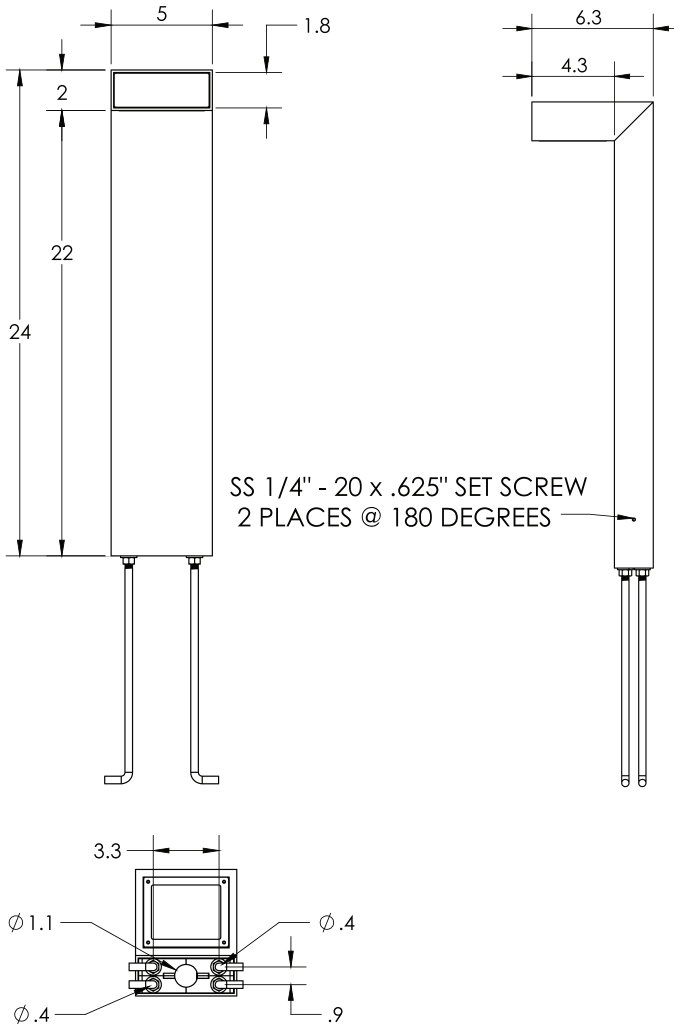
Specification Sheet

AM-DM-061724



## Physical

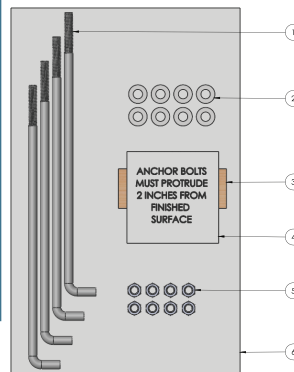
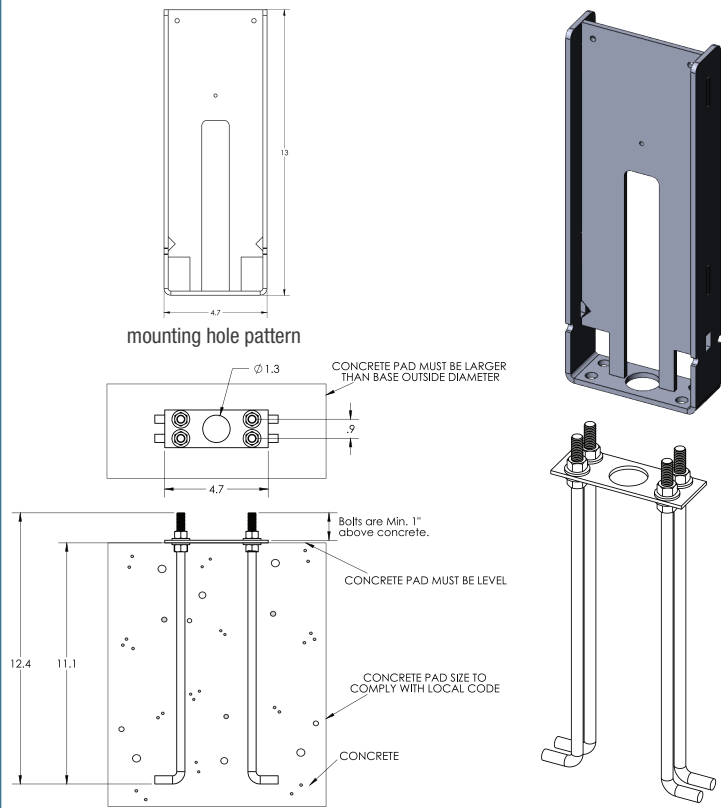
### PRODUCT DIMENSIONS - STANDARD PRODUCT



### MOUNTING

Mounting Plate Size	4.7" x 3"
Anchor Bolt Template Assembly	A00690S

(Includes the below items listed)

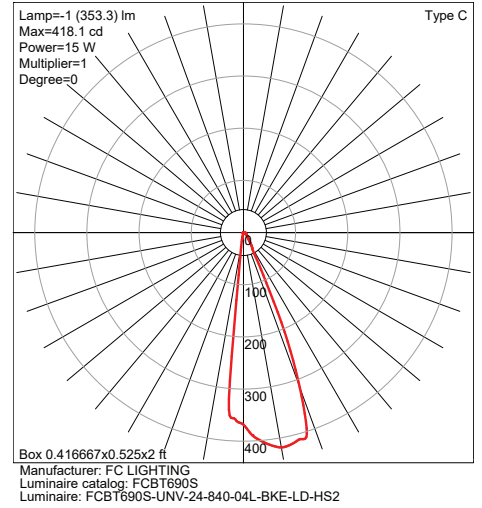
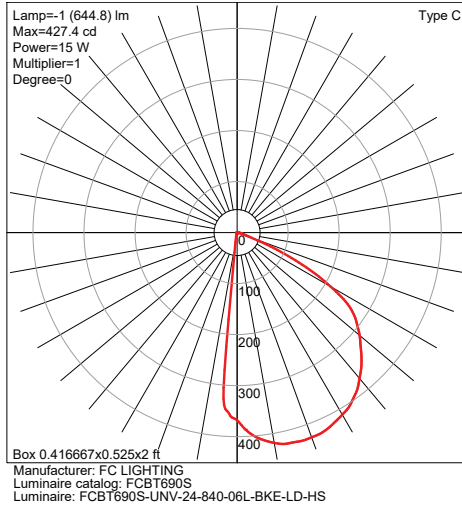
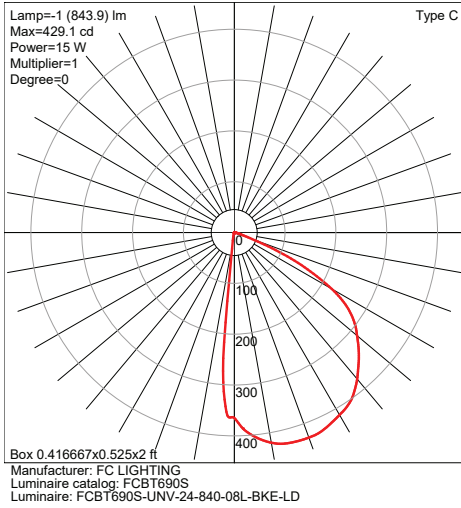


#	ANCHOR BOLT TEMPLATE ASSEMBLY (A00690S) (Includes below items)	QTY.
1	3/8" x 12" x 1" Lhook Anchor Bolt (94523B-4)	4
2	3/8" x .812" OD FLAT WASHER H-D GALV STEEL	8
3	ANCHOR BOLT WOOD TEMPLATE	1
4	ANCHOR BOLT LABEL	1
5	3/8"-16 HEX NUT H-D GALV STEEL	8
6	PLASTIC BAG, SEALED	1

Due to continuous development and improvements, specifications are subject to change without notice. Product use certifies agreement to FC Lighting terms and conditions.



## OPTICAL DISTRIBUTION



COLOR	IES MULTIPLIER
827	0.93
830	0.95
835	0.99
840	1.00

Due to continuous development and improvements, specifications are subject to change without notice.  
Product use certifies agreement to FC Lighting terms and conditions.

 US Commercial Lighting Manufacturer Since 1982

Specification Sheet

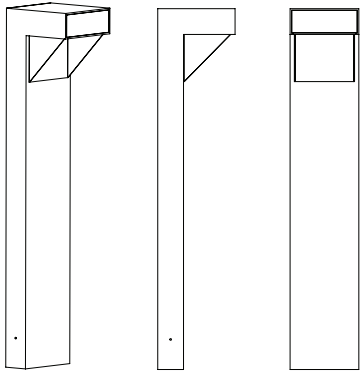


# Accessories

**OPTIONS**

FIND IES FILES ON FCLIGHTING.COM

**HS - House Shield that blocks light out the sides**

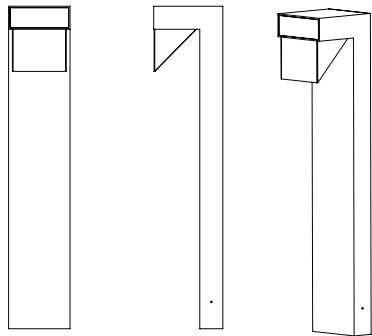


Use the 180° House Side Shield (HS) to protect beach side areas where luminaires are installed.

**CD - Cane Detector**

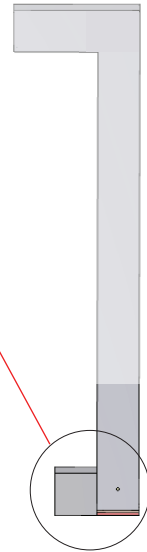
<b>foot depth</b>	add 3" D at column base
<b>foot width</b>	5" W

**HS2 - House Shield that blocks light out the front**



Use the (HS2) front House Shield to protect beach side areas where luminaires are installed.

**SHOWS FCBT690  
W/ CANE DETECTION**



Due to continuous development and improvements, specifications are subject to change without notice. Product use certifies agreement to FC Lighting terms and conditions.