



**Date:** \_\_\_\_\_

**Type:** \_\_\_\_\_

**Fixture:** \_\_\_\_\_

**Project:** \_\_\_\_\_

**Approved:**

## FCB740



**FCB740** High output exterior die-cast aluminum, round 7" diameter, 40 inch high bollard, providing direct light to a wide circumference surrounding this luminaire.

### SPECIFICATIONS

#### PHYSICAL

<b>dimensions</b>	40"H x 7"D
<b>weight</b>	18 lbs
<b>housing</b>	Marine grade, corrosion resistant, heavy guage aluminum
<b>lens</b>	Impact resistant, UV stabilized, clear, polycarbonate diffuser
<b>mounting</b>	Heavy gauge base bracketing for bollard installation provides a unique mounting solution, so the tower body anchors flush to the ground without the appearance of a base plate, anchor bolts included (j-box by others)
<b>ingress protection</b>	IP66: dry, damp, or wet locations with extruded silicone gasket to seal out contaminants
<b>finish</b>	Available in Black, Bronze, Graphite Grey, Silver, White and Custom Colors. Six stage chemical iron phosphate conversion pre-treatment. Polyester powder coat finish, 18 µm minimum, 5,000 hour salt spray test (ASTM B117) compliant with Florida / AAMA 2604 specification.

#### PERFORMANCE

<b>color temperature</b>	2700K, 3000K, 3500K, 4000K
<b>lumen output</b>	2000 lm
<b>lumen maintenance</b>	L70 > 70,000 hours
<b>color consistency</b>	3 SDCM / 85 CRI
<b>operating temperature</b>	-13°F to 104°F (-25°C to 40°C)
<b>warranty</b>	5-Year limited warranty

#### ELECTRICAL

<b>input voltage</b>	Universal 120 - 277 VAC, optional: 347 VAC (Integral)   480 VAC (Integral)
<b>power supply</b>	Integral Class II, electronic, high power factor > 94% @ 120V
<b>certification</b>	ETL/cETL Listed
<b>standards</b>	UL1598 / CSA C22.2 No. 250.0; UI 8750 / CSA C22.2 No. 250.13 / IES LM-79 / LM-80
<b>power consumption</b>	23W @ 120 - 277 VAC
<b>dimming</b>	<b>standard:</b> 0-10V (10%) <b>optional:</b> ELV (120 VAC Only) / DMX (Integral) / DALI (Integral)

Due to continuous development and improvements, specifications are subject to change without notice. Product use certifies agreement to FC Lighting terms and conditions.



# Ordering Information

## ORDERING INFORMATION

FCB740											
SERIES	VOLTAGE		HEIGHT		CCT		LUMENS		FINISH		OPTIONS
<b>FCB740</b>	<b>UNV</b>	120 - 277 VAC	<b>40</b>	40"	<b>27K</b>	2700K	<b>20L</b>	2000 lm (23W)	<b>BKE</b>	Black	<b>LD</b> 0-10V Dimming (Standard)
	<b>347V</b>	347 VAC (Integral)			<b>3K</b>	3000K			<b>BRE</b>	Bronze	<b>ELV</b> ELV Dimming (120 Only)
	<b>480V</b>	480 VAC (Integral)			<b>35K</b>	3500K			<b>GRE</b>	Graphite Grey	<b>DMX</b> DMX Dimming (Integral)
					<b>4K</b>	4000K			<b>SLE</b>	Silver	<b>DALI</b> DALI Dimming (Integral)
									<b>WHE</b>	White	<b>BBU</b> Battery Backup (Integral) (Not for ELV)
									<b>CCE</b>	Custom Color	<b>HS</b> 180° House Shield
											<b>HS2</b> 270° House Shield

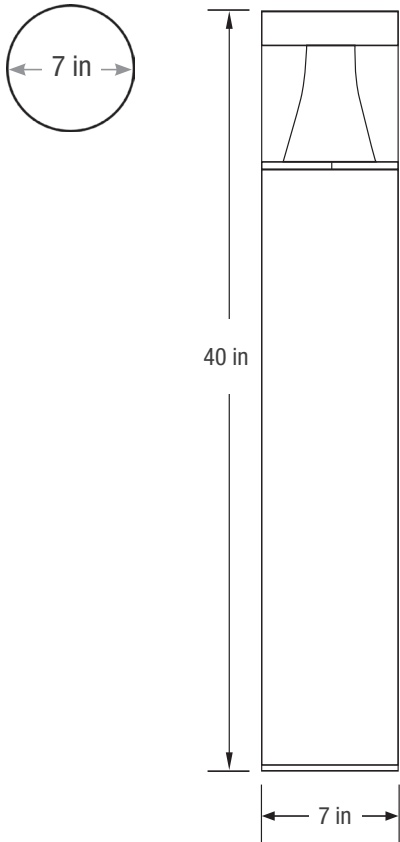
Due to continuous development and improvements, specifications are subject to change without notice. Product use certifies agreement to FC Lighting terms and conditions.



# Physical

## PRODUCT DIMENSIONS - STANDARD PRODUCT

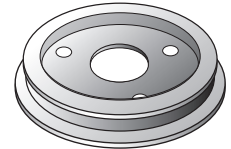
height	40" H
diameter	7" D



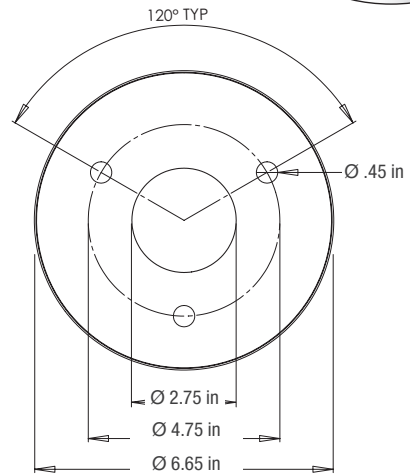
## MOUNTING

mounting plate diameter	6.65" D
anchor bolt size	3/8"Ø x 12" L x 2" Tang
bolt pattern diameter	4.75" D

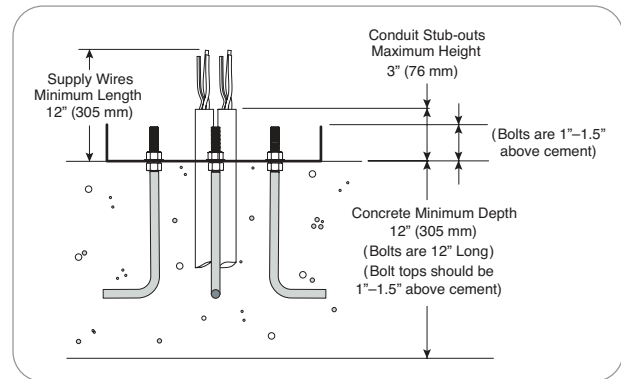
Anchor Bolt Part #	94523B-4
Quantity Required	3 for each bollard



mounting hole pattern



Concrete minimum depth 12"; 12" anchor bolts extend above cement, see installation instructions for detailed information.

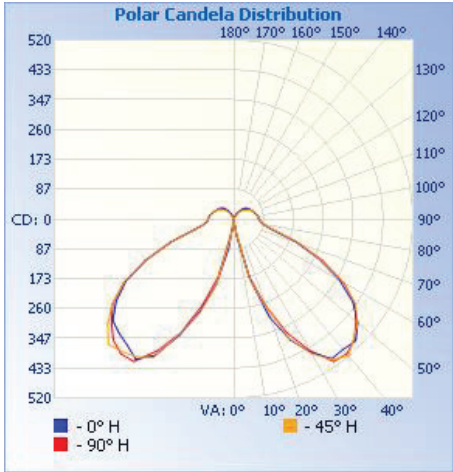


Due to continuous development and improvements, specifications are subject to change without notice. Product use certifies agreement to FC Lighting terms and conditions.



# Photometry

## OPTICAL DISTRIBUTION



**Illuminance at a Distance**

	Center Beam fc	Beam Width	
1.7ft	1.17 fc	6.6 ft	6.5 ft
3.3ft	0.31 fc	12.8 ft	12.6 ft
5.0ft	0.13 fc	19.4 ft	19.1 ft
6.7ft	0.08 fc	26.0 ft	25.6 ft
8.3ft	0.05 fc	32.2 ft	31.7 ft
10.0ft	0.03 fc	38.8 ft	38.2 ft

■ Vert. Spread: 125.4°  
■ Horiz. Spread: 124.8°

Lumen Output	2000 Lm @ 4000K
Power Consumption	23 W

**itl** illuminations testing laboratory - Report 1349

## OPTIONS FIND IES FILES ON FCLIGHTING.COM

- HS - 180° House Shield
- HS2 - 270° House Shield

NOTE: House Shields are internal to the fixture.

Due to continuous development and improvements, specifications are subject to change without notice. Product use certifies agreement to FC Lighting terms and conditions.

US Commercial Lighting Manufacturer Since 1982

**Specification Sheet**