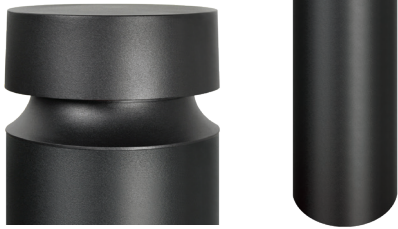


# FCB6C-36N02



**Date:** \_\_\_\_\_

**Type:** \_\_\_\_\_

**Fixture:** \_\_\_\_\_

**Project:** \_\_\_\_\_

**Approved:**

**FCB6C-36N02** Exterior die-cast aluminum, 6" nominal diameter bollard with a 1.375" opening for a 360° light pattern and no visible lens. Rated IP66 for wet, damp or dry locations. The FCB6C-36N02 bollards are marine grade, corrosion resistant, heavy walled, high pressure die-cast aluminum. Circular housing is extruded aluminum. Impact resistant, UV stabilized, white, polycarbonate diffuser. Neoprene continuous closed cell gasket to seal out contaminants.

## SPECIFICATIONS

PHYSICAL	
<b>dimensions</b>	39.55" H x 6.3" $\varnothing$
<b>weight</b>	18 lbs
<b>housing</b>	Marine grade, corrosion resistant, heavy gauge extruded aluminum
<b>lens</b>	No visible lens
<b>mounting</b>	Heavy wall base bracketing for bollard installation provides a unique mounting solution, so the tower body anchors flush to the ground without the appearance of a base plate, anchor bolts included
<b>ingress protection</b>	IP66: dry, damp, or wet locations
<b>finish</b>	Available in Black, Bronze, Graphite Grey, Silver, White and Custom Colors. Six stage chemical iron phosphate conversion pre-treatment. Polyester powder coat finish, 18 $\mu$ m minimum, 5,000 hour salt spray test (ASTM B117) compliant with Florida / AAMA 2604 specification.

PERFORMANCE				
<b>color temperature</b>	2700K	3000K	3500K	4000K
<b>lumen output</b>	447	471	495	522
<b>lumen maintenance</b>	L70 > 70,000 hours			
<b>color consistency</b>	3 SDCM   85 CRI			
<b>operating temperature</b>	-13°F to 104°F (-25°C to 40°C)			
<b>warranty</b>	5-Year limited warranty			

ELECTRICAL	
<b>input voltage</b>	Universal 120 - 277 VAC   optional: 347 VAC   480 VAC
<b>power supply</b>	Integral Class II, electronic, high power factor > 94% @ 120V
<b>certification</b>	ETL/cETL Listed
<b>standards</b>	UL1598 / CSA C22.2 No. 250.0; UI 8750 / CSA C22.2 No. 250.13/IES LM-79/LM-80
<b>power consumption</b>	30W @ 120 - 277 VAC (maximum)
<b>dimming</b>	0-10V (10%)

Due to continuous development and improvements, specifications are subject to change without notice. Product use certifies agreement to FC Lighting terms and conditions.



# Ordering Information

## ORDERING INFORMATION

FCB6C-36N02		39		5L		
SERIES	VOLTAGE	HEIGHT	CCT	LUMENS	FINISH	OPTIONS
<b>FCB6C-36N02</b>	<b>UNV</b> UNV 120 - 277 VAC	<b>39</b> 39.5"	<b>27K</b> 2700K	<b>5L</b> 522 lm (30W)	<b>BKE</b> Black	<b>LD</b> 0-10V Dimming (Standard)
	<b>347V</b> 347 VAC		<b>3K</b> 3000K		<b>BRE</b> Bronze	<b>SP20</b> 20kV Surge Protector
	<b>480V</b> 480 VAC		<b>35K</b> 3500K		<b>GRE</b> Graphite Grey	<b>BBU</b> Battery Backup (Integral)
	<b>120V</b> 120 VAC (Photo Eye)		<b>4K</b> 4000K		<b>SLE</b> Silver	<b>SP20-BBU</b> (2) 20kV Surge Protectors (1/LED Driver, 1/BBU) and Battery Backup (Integral)
	<b>277V</b> 277 VAC (Photo Eye)				<b>WHE</b> White	
					<b>CCE</b> Custom Color	<b>PE120</b> Photo Eye for 120 VAC
						<b>PE277</b> Photo Eye for 277 VAC
						<b>LAB</b> <sup>1</sup> Less Anchor Bolt Kit - for shipment separate of Anchor Bolt Kit

## ANCHOR BOLT KITS

### A00636-N02

Anchor Bolt Kit - Complete Anchor Bolt Kit shipped in advance of fixture.

<sup>1</sup> **Note:** Fixture must be mounted into FC Lighting supplied Anchor Bolt Kit shipped with or separate of fixture.

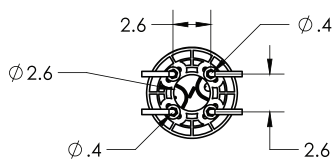
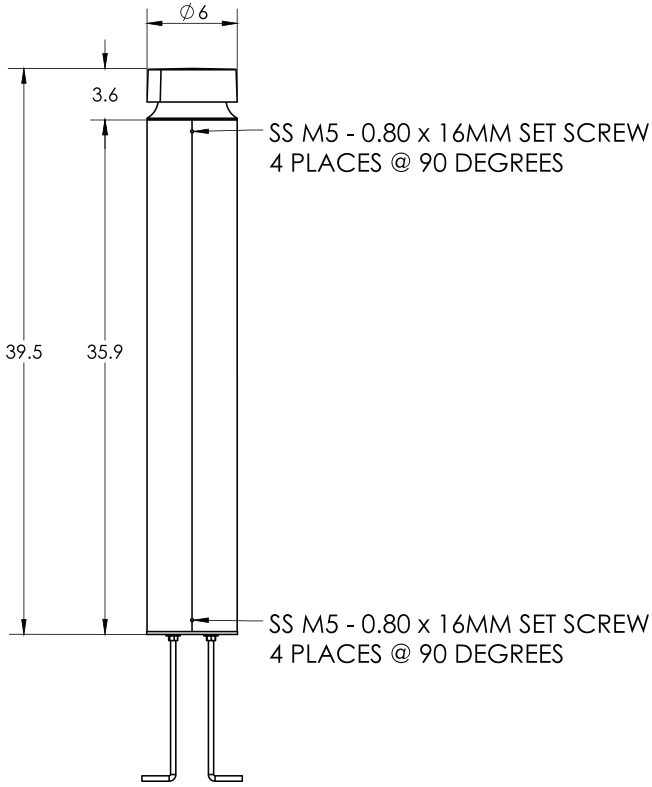
### Consult Factory for other options and configurations.

To ensure you receive proper configurations for your lighting specifications, contact us directly about any unique application requirements. This may include but not be limited to lumen output, mounting needs, or electrical requirements.

Due to continuous development and improvements, specifications are subject to change without notice. Product use certifies agreement to FC Lighting terms and conditions.

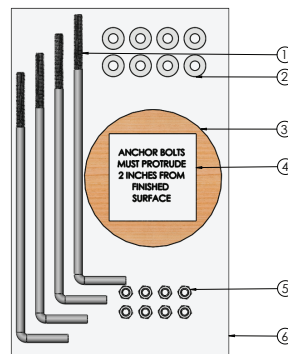
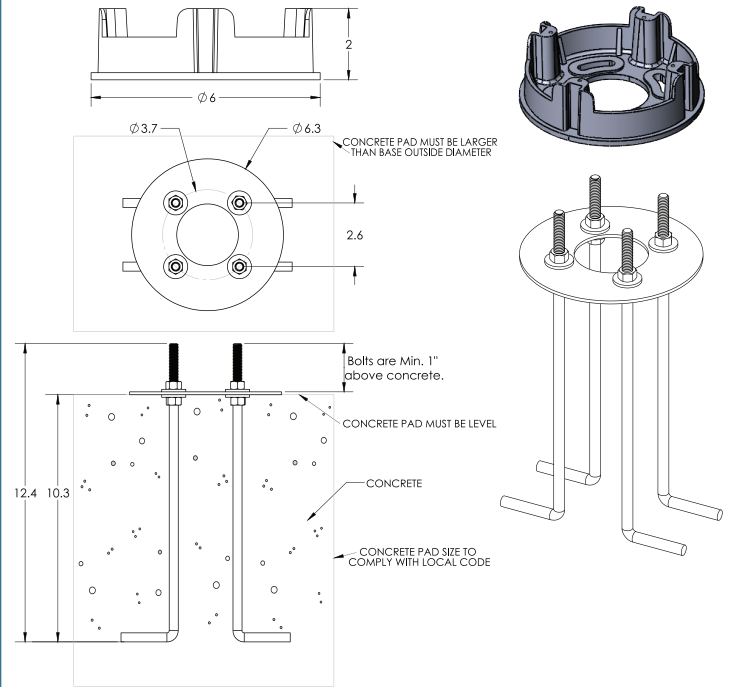


## PRODUCT DIMENSIONS - STANDARD PRODUCT



## MOUNTING

mounting plate diameter  $6.30'' \phi$

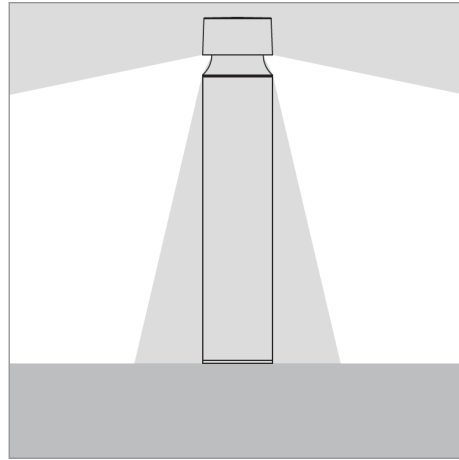
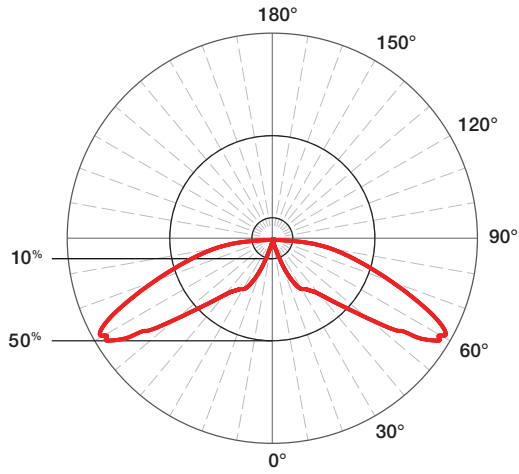


#	ANCHOR BOLT TEMPLATE ASSEMBLY (A00636-N02) (Includes below items)	QTY.
1	3/8" x 12" x 2" L hook Anchor Bolt (X91603A120)	4
2	3/8" FLAT WASHER H-D GALV STEEL	8
3	ANCHOR BOLT WOOD TEMPLATE	1
4	ANCHOR BOLT LABEL	1
5	3/8"-16 HEX NUT H-D GALV STEEL	8
6	PLASTIC BAG, SEALED	1

Due to continuous development and improvements, specifications are subject to change without notice. Product use certifies agreement to FC Lighting terms and conditions.



## OPTICAL DISTRIBUTION



Due to continuous development and improvements, specifications are subject to change without notice. Product use certifies agreement to FC Lighting terms and conditions.