

FCB460
FCB460A



Date: _____

Type: _____

Fixture: _____

Project: _____

Approved:

FCB460 Exterior 316 stainless steel and die-cast aluminum bollard. Round 8" diameter and 43" tall, louvered bollard with optional house shield for 180° or 270° cut off. Designed and built to provide downward directed light completely surrounding the luminaire, or optionally, internally shielded to 180° or 90° light pattern. **FCB460A** is Certified by the Florida Fish & Wildlife Conservation Commission as approved for Wildlife Lighting in areas with protected environments.

SPECIFICATIONS

PHYSICAL

dimensions	43"H x 8"D
weight	25 lbs
housing	marine grade 316 stainless steel housing
lens	clear, heat resistant, tempered glass globe
mounting	heavy wall base bracketing for bollard installation provides a unique mounting solution, so the tower body anchors flush to the ground without the appearance of a base plate, anchor bolts included
ingress protection	IP66: dry, damp, or wet locations
finish	marine grade 316 stainless steel housing

PERFORMANCE

color temperature	FCB460 - 2700K, 3000K, 3500K, 4000K
lumen output	FCB460 - 932 lm, FCB460A - 147 lm
lumen maintenance	L70 > 70,000 hours
color consistency	3 SDCM / 85 CRI
operating temperature	-13°F to 122°F (-25°C to 50°C)
warranty	5-Year limited warranty

ELECTRICAL

input voltage	Universal 120 - 277 VAC, optional: 347 VAC, 480 VAC
power supply	Integral Class II, electronic high-power factor > 94% @ 120V
certification	ETL/cETL Listed
standards	UL1598/CSA C22.2 No. 250.0; UI 8750/CSA C22.2 No. 250.13/IES LM-79/LM-80
power consumption	120 - 277 VAC @ 42W
dimming	standard: 0-10V (10%), optional: ELV (120 VAC only) / DMX / DALI



FCB460A
Wildlife Lighting Certified
by the Florida Fish & Wildlife
Conservation Commission

Due to continuous development and improvements, specifications are subject to change without notice.
Product use certifies agreement to FC Lighting terms and conditions.

FCB460 FCB460A



Ordering Information

PART NUMBER

FCB460							
SERIES	VOLTAGE	HEIGHT	COLOR	LUMENS	FINISH	OPTIONS	
FCB460	UNV 120 - 277 VAC	43 43"	827 (85CRI) 2700K	10L 932 lm (42W)	SS Stainless Steel	LD	0-10V Dimming
	120V 120 VAC (Photo Eye)		830 (85CRI) 3000K			ELV	ELV Dimming (120 VAC Only) (No PE Option)
	277V 277 VAC (Photo Eye)		835 (85CRI) 3500K	HS - 180° House Shield		SP20	20kV Surge Protector
	347V 347 VAC		840 (85CRI) 4000K	05L 463 lm (22W)		BBU	Battery Backup (Integral)
	480V 480 VAC			HS2 - 90° House Shield		SP20-BBU	(2) 20kV Surge Protectors (1/LED Driver, 1/BBU) and Battery Backup (Integral)
				03L 233 lm (12W)		PE120	Photo Eye for 120 VAC
						PE277	Photo Eye for 277 VAC
						HS	180° House Shield
						HS2	270° House Shield
						LAB'	Less Anchor Bolt Kit - for shipment separate of Anchor Bolt Kit

FCB460A			AM	01L			
SERIES	VOLTAGE	HEIGHT	COLOR	LUMENS	FINISH	OPTIONS	
FCB460A	UNV 120 - 277 VAC	43 43"	AM Amber (590-600nm)	01L 147 lm (30W)	SS Stainless Steel	LD	0-10V Dimming
	120V 120 VAC (Photo Eye)					ELV	ELV Dimming (120 VAC Only) (No PE Option)
	277V 277 VAC (Photo Eye)			HS - 180° House Shield		SP20	20kV Surge Protector
	347V 347 VAC			05L 73 lm (15W)		BBU	Battery Backup (Integral)
	480V 480 VAC			HS2 - 90° House Shield		SP20-BBU	(2) 20kV Surge Protectors (1/LED Driver, 1/BBU) and Battery Backup (Integral)
				03L 36 lm (10W)		PE120	Photo Eye for 120 VAC
						PE277	Photo Eye for 277 VAC
						HS	180° House Shield
						HS2	270° House Shield
						LAB'	Less Anchor Bolt Kit - for shipment separate of Anchor Bolt Kit

ANCHOR BOLT KITS

A00450-01

Anchor Bolt Kit - Complete Anchor Bolt Kit shipped in advance of fixture.

¹ **Note:** Fixture must be mounted into FC Lighting supplied Anchor Bolt Kit shipped with or separate of fixture.

Consult Factory for other options and configurations.

To ensure you receive proper configurations for your lighting specifications, contact us directly about any unique application requirements. This may include but not be limited to lumen output, mounting needs, or electrical requirements.

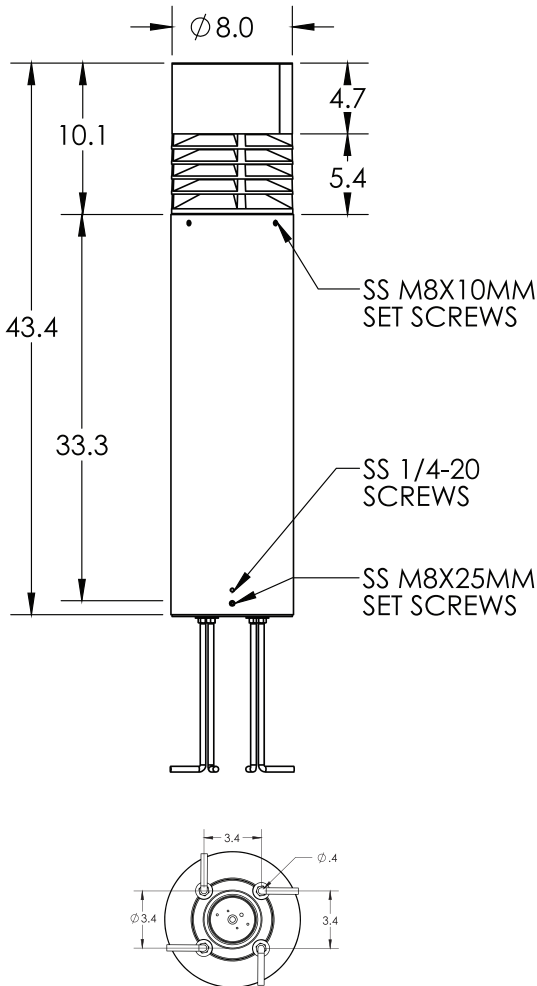
Due to continuous development and improvements, specifications are subject to change without notice.
Product use certifies agreement to FC Lighting terms and conditions.

FCB460 FCB460A

Physical



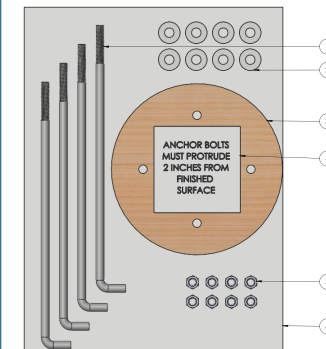
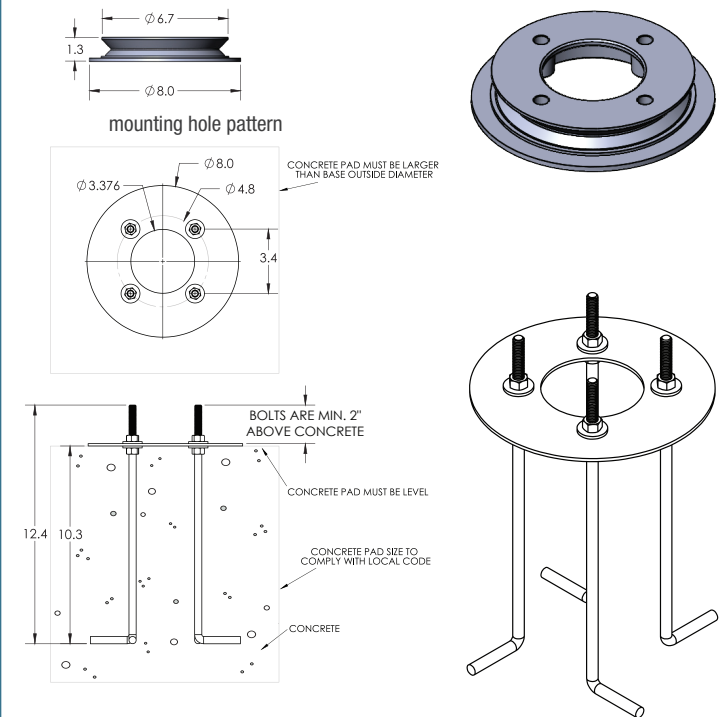
PRODUCT DIMENSIONS - STANDARD PRODUCT



MOUNTING

Mounting Plate Diameter	$\phi 8"$
Anchor Bolt Template Assembly	A00450-01

(Includes the below items listed)



#	ANCHOR BOLT TEMPLATE ASSEMBLY (A00450-01) (Includes below items)	QTY.
1	3/8" x 12" x 1" L Hook Anchor Bolt (94523B-4)	4
2	3/8" Flat Washer H-D Galv Steel	8
3	Anchor Bolt Wood Template	1
4	Anchor Bolt Label	1
5	3/8" Hex Nut H-D Galv Steel	8
6	Plastic Bag, Sealed	1

Due to continuous development and improvements, specifications are subject to change without notice. Product use certifies agreement to FC Lighting terms and conditions.

 US Commercial Lighting Manufacturer Since 1982

Specification Sheet

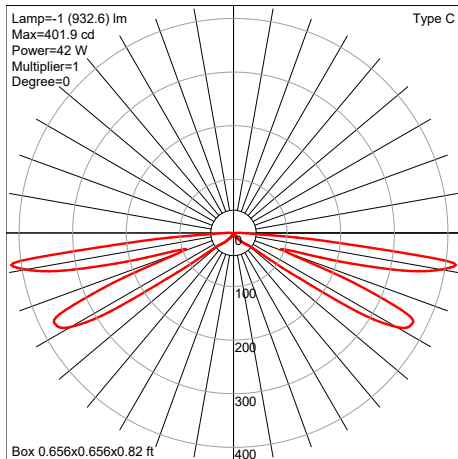
© FC Lighting, Inc. 3609 Swenson Ave • St. Charles, IL • 60174 | fclighting.com | 800.900.1730

AG-DM-082823



Photometry

OPTICAL DISTRIBUTION



Box 0.656x0.656x0.82 ft
Manufacturer: FC LIGHTING
Luminaire catalog: FCB460
Luminaire: FCB460-UNV-43-840-10L-BKE-LD

IES MULTIPLIER	
Color	Multiplier
927	0.89
930	0.96
935	0.97
940	1.00

Lumen Output	932 lm @ 4000K
Power Consumption	42 W

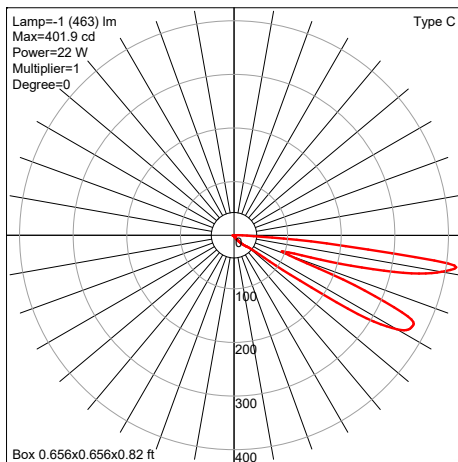
OPTIONS

FIND IES FILES ON FCLIGHTING.COM

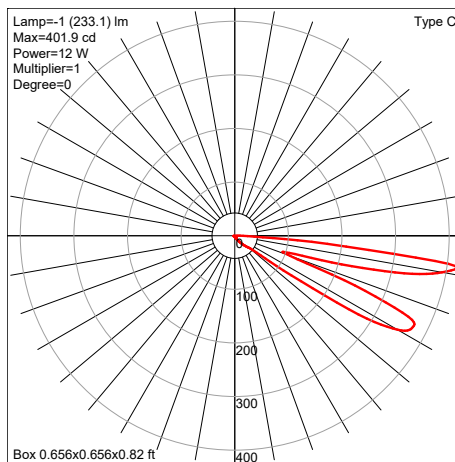
HS - 180° House Shield

HS2 - 270° House Shield

NOTE: House Shields are internal to the fixture.



Box 0.656x0.656x0.82 ft
Manufacturer: FC LIGHTING
Luminaire catalog: FCB460
Luminaire: FCB460-UNV-43-840-05L-BKE-LD-HS



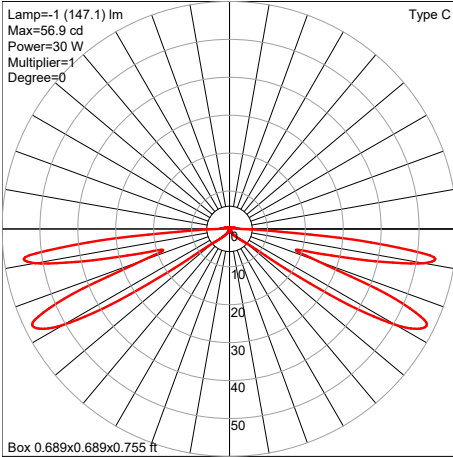
Box 0.656x0.656x0.82 ft
Manufacturer: FC LIGHTING
Luminaire catalog: FCB460
Luminaire: FCB460-UNV-43-840-03L-BKE-LD-HS2

Due to continuous development and improvements, specifications are subject to change without notice.
Product use certifies agreement to FC Lighting terms and conditions.



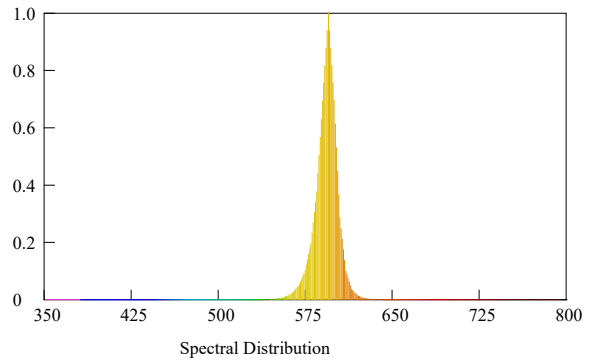
Photometry

OPTICAL DISTRIBUTION



Box 0.689x0.689x0.755 ft
 Manufacturer: FC LIGHTING
 Luminaire catalog: FCB460A
 Luminaire: FCB460A-UNV-43-AM-01L-BKE-LD

Spectroradiometric Parameters



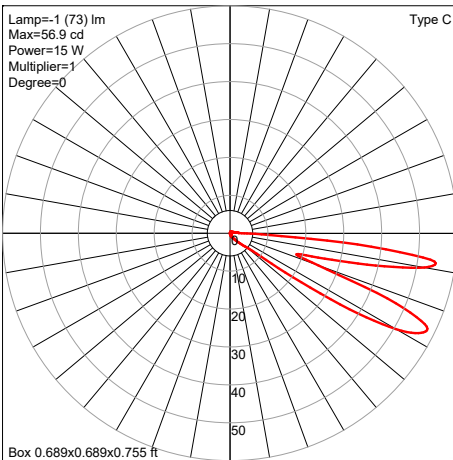
OPTIONS

FIND IES FILES ON FCLIGHTING.COM

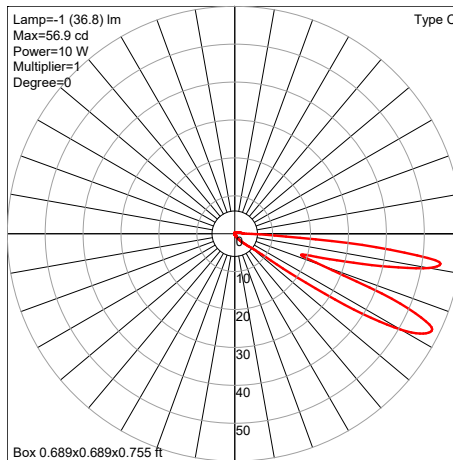
HS - 180° House Shield

HS2 - 270° House Shield

NOTE: House Shields are internal to the fixture.



Box 0.689x0.689x0.755 ft
 Manufacturer: FC LIGHTING
 Luminaire catalog: FCB460A
 Luminaire: FCB460A-UNV-43-AM-05L-BKE-LD-HS



Box 0.689x0.689x0.755 ft
 Manufacturer: FC LIGHTING
 Luminaire catalog: FCB460A
 Luminaire: FCB460A-UNV-43-AM-03L-BKE-LD-HS2

Due to continuous development and improvements, specifications are subject to change without notice.
 Product use certifies agreement to FC Lighting terms and conditions.