

**FCB450**  
**FCB450A**



<b>Date:</b>		<b>Approved:</b>
<b>Type:</b>		
<b>Fixture:</b>		
<b>Project:</b>		

**FCB450** Exterior die-cast aluminum, round 8" diameter and 43" tall, louvered bollard designed and built to provide downward directed light completely surrounding the luminaire or, optionally, internally shielded to 180° or 90° light pattern. **FCB450A** has a true AMBER LED option which uses AllnGap chip technology to produce amber color with spectral control between 590-600nm above the 560nm required by Florida Fish & Wildlife Conservation Commission (FWC).

**SPECIFICATIONS**

**PHYSICAL**

<b>dimensions</b>	43"H x 8"D
<b>weight</b>	18 lbs
<b>housing</b>	Marine grade, corrosion resistant, heavy gauge extruded aluminum (0.139" thick)
<b>lens</b>	Clear, heat resistant, tempered glass globe
<b>mounting</b>	Heavy wall base bracketing for bollard installation provides a unique mounting solution, so the tower body anchors flush to the ground without the appearance of a base plate, anchor bolts included.
<b>ingress protection</b>	IP65; dry, damp, or wet locations
<b>finish</b>	Available in Black, Bronze, Graphite Grey, Silver, White and Custom Colors. Six stage cleaning and saline pre-treatment. Super TGIC polyester powder coat finish, 18µm minimum, 5,000 hour salt spray test (ASTM B117) compliant with Florida / AAMA 2604 specification.

**PERFORMANCE**

<b>color temperature</b>	FCB450 - 2700K, 3000K, 3500K, 4000K, FCB450A - Amber
<b>lumen output</b>	FCB450 - 932 lm, FCB450A - 147 lm
<b>lumen maintenance</b>	L70 > 70,000 hours
<b>color consistency</b>	3 SDCM / 85CRI
<b>operating temperature</b>	-13°F to 122°F (-25°C to 50°C)
<b>warranty</b>	5-Year limited warranty

**ELECTRICAL**

<b>input voltage</b>	Universal 120 - 277 VAC, optional: 347 VAC, 480 VAC
<b>power supply</b>	Integral Class II, electronic, high power factor > 94% @ 120V
<b>certification</b>	ETL/cETL Listed
<b>standards</b>	UL1598 / CSA C22.2 No. 250.0; UI 8750 / CSA C22.2 No. 250.13 / IES LM-79 / LM-80
<b>power consumption</b>	120 - 277 VAC @ 42W
<b>dimming</b>	standard: 0-10V (10%), optional: ELV (120 VAC only) / DMX / DALI



**FCB450A**  
Wildlife Lighting Certified  
by the Florida Fish & Wildlife  
Conservation Commission

Due to continuous development and improvements, specifications are subject to change without notice.  
Product use certifies agreement to FC Lighting terms and conditions.

# FCB450 FCB450A



## Ordering Information

### PART NUMBER

FCB450									
SERIES	VOLTAGE	HEIGHT	COLOR	LUMENS	FINISH	OPTIONS			
FCB450	UNV	120 - 277 VAC	43 43"	827 (85CRI) 2700K	10L 932 lm (42W)	BKE	Black	LD	0-10V Dimming
	120V	120 VAC (Photo Eye)		830 (85CRI) 3000K		BRE	Bronze	ELV	ELV Dimming (120 VAC Only) (No PE Option)
	277V	277 VAC (Photo Eye)		835 (85CRI) 3500K	HS <sup>1</sup> - 180° House Shield	GRE	Graphite Grey	SP20	20kV Surge Protector
	347V	347 VAC		840 (85CRI) 4000K	05L 463 lm (22W)	SLE	Silver	BBU	Battery Backup (Integral)
	480V	480 VAC			HS <sup>2</sup> - 270° House Shield	WHE	White	SP20-BBU	(2) 20kV Surge Protectors (1/LED Driver, 1/BBU) and Battery Backup (Integral)
				03L 233 lm (12W)	CCE	Custom Color	PE120	Photo Eye for 120 VAC	
							PE277	Photo Eye for 277 VAC	
							HS <sup>1</sup>	180° House Shield	
							HS <sup>2</sup>	270° House Shield	
							LAB <sup>3</sup>	Less Anchor Bolt Kit - for shipment separate of Anchor Bolt Kit	

FCB450A			AM	01L					
SERIES	VOLTAGE	HEIGHT	COLOR	LUMENS	FINISH	OPTIONS			
FCB450A	UNV	120 - 277 VAC	43 43"	AM Amber (590-600nm)	01L 147 lm (30W)	BKE	Black	LD	0-10V Dimming
	120V	120 VAC (Photo Eye)				BRE	Bronze	ELV	ELV Dimming (120 VAC Only) (No PE Option)
	277V	277 VAC (Photo Eye)			HS <sup>1</sup> - 180° House Shield	GRE	Graphite Grey	SP20	20kV Surge Protector
	347V	347 VAC			05L 73 lm (15W)	SLE	Silver	BBU	Battery Backup (Integral)
	480V	480 VAC			HS <sup>2</sup> - 270° House Shield	WHE	White	SP20-BBU	(2) 20kV Surge Protectors (1/LED Driver, 1/BBU) and Battery Backup (Integral)
				03L 36 lm (10W)	CCE	Custom Color	PE120	Photo Eye for 120 VAC	
							PE277	Photo Eye for 277 VAC	
							HS <sup>1</sup>	180° House Shield	
							HS <sup>2</sup>	270° House Shield	
							LAB <sup>3</sup>	Less Anchor Bolt Kit - for shipment separate of Anchor Bolt Kit	

### ANCHOR BOLT KITS

#### A00450-01

Anchor Bolt Kit - Complete Anchor Bolt Kit shipped in advance of fixture.

<sup>1</sup> Note: 05L only available with HS option.

<sup>2</sup> Note: 03L only available with HS2 option.

<sup>3</sup> Note: Fixture must be mounted into FC Lighting supplied Anchor Bolt Kit shipped with or separate of fixture.

### Consult Factory for other options and configurations.

To ensure you receive proper configurations for your lighting specifications, contact us directly about any unique application requirements. This may include but not be limited to lumen output, mounting needs, or electrical requirements.

Due to continuous development and improvements, specifications are subject to change without notice. Product use certifies agreement to FC Lighting terms and conditions.

 US Commercial Lighting Manufacturer Since 1982

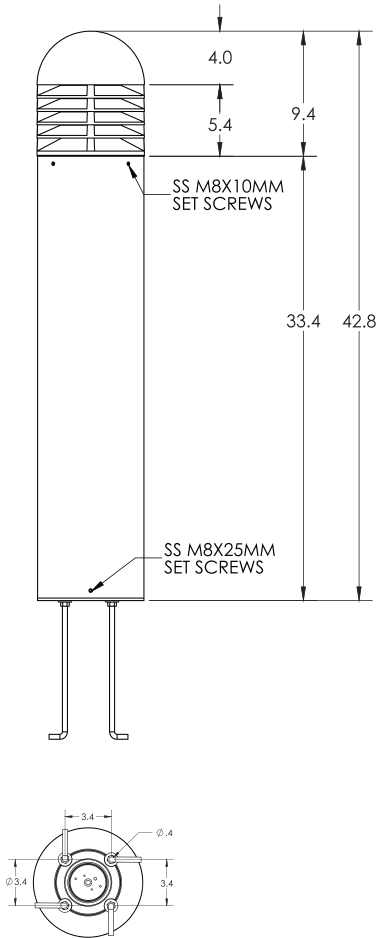
Specification Sheet

# Physical

## FCB450 FCB450A



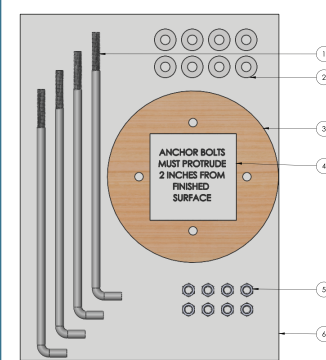
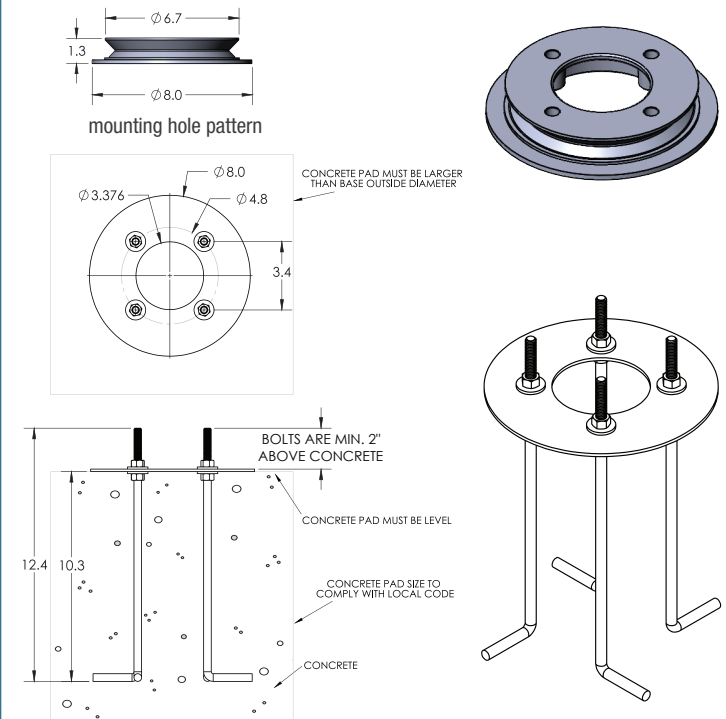
### PRODUCT DIMENSIONS - STANDARD PRODUCT



### MOUNTING

Mounting Plate Diameter	Ø 8"
Anchor Bolt Template Assembly	A00450-01

(Includes the below items listed)



#	ANCHOR BOLT TEMPLATE ASSEMBLY (A00450-01) (Includes below items)	QTY.
1	3/8" x 12" x 1" L Hook Anchor Bolt (94523B-4)	4
2	3/8" Flat Washer H-D Galv Steel	8
3	Anchor Bolt Wood Template	1
4	Anchor Bolt Label	1
5	3/8" Hex Nut H-D Galv Steel	8
6	Plastic Bag, Sealed	1

Due to continuous development and improvements, specifications are subject to change without notice. Product use certifies agreement to FC Lighting terms and conditions.

 US Commercial Lighting Manufacturer Since 1982

Specification Sheet

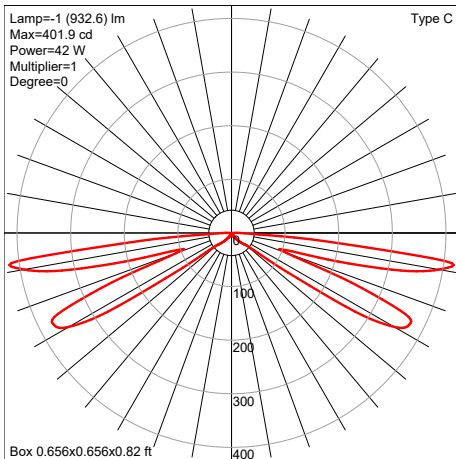
© FC Lighting, Inc. 3609 Swenson Ave • St. Charles, IL • 60174 | fclighting.com | 800.900.1730

JC-DM-041624



# Photometry

## OPTICAL DISTRIBUTION



Box 0.656x0.656x0.82 ft  
 Manufacturer: FC LIGHTING  
 Luminaire catalog: FCB450  
 Luminaire: FCB450-UNV-43-840-10L-BKE-LD

IES MULTIPLIER	
Color	Multiplier
927	0.89
930	0.96
935	0.97
940	1.00

Lumen Output	932 lm @ 4000K
Power Consumption	42 W

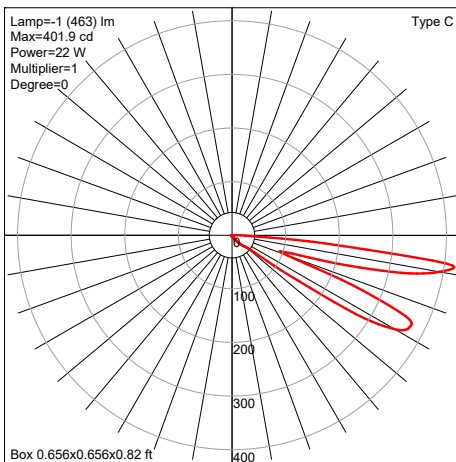
## OPTIONS

FIND IES FILES ON [FCLIGHTING.COM](http://FCLIGHTING.COM)

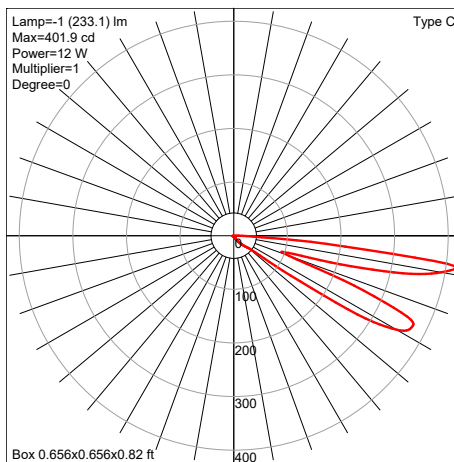
**HS - 180° House Shield**

**HS2 - 270° House Shield**

NOTE: House Shields are internal to the luminaire.



Box 0.656x0.656x0.82 ft  
 Manufacturer: FC LIGHTING  
 Luminaire catalog: FCB450  
 Luminaire: FCB450-UNV-43-840-05L-BKE-LD-HS



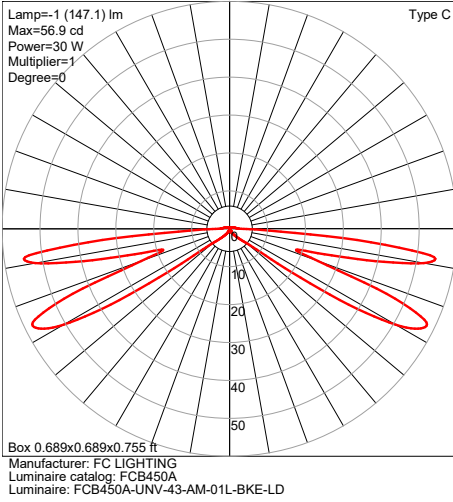
Box 0.656x0.656x0.82 ft  
 Manufacturer: FC LIGHTING  
 Luminaire catalog: FCB450  
 Luminaire: FCB450-UNV-43-840-03L-BKE-LD-HS2

Due to continuous development and improvements, specifications are subject to change without notice.  
 Product use certifies agreement to FC Lighting terms and conditions.

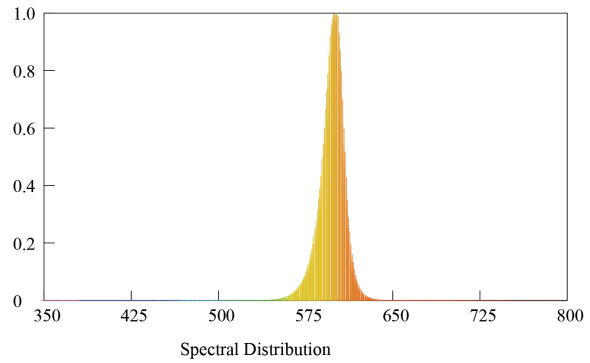


# Photometry

## OPTICAL DISTRIBUTION



## Spectroradiometric Parameters



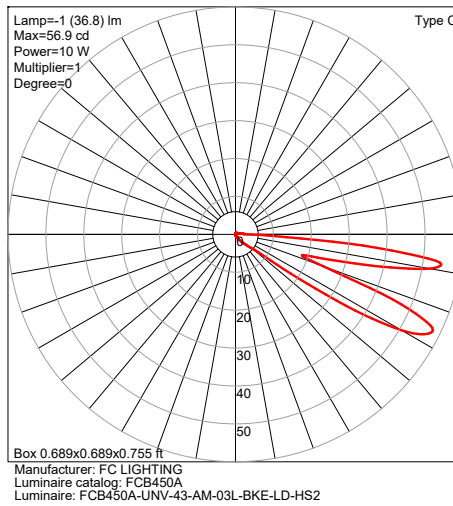
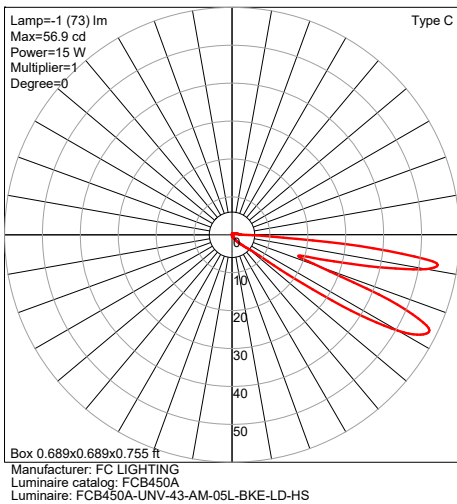
## OPTIONS

FIND IES FILES ON [FCLIGHTING.COM](http://FCLIGHTING.COM)

**HS - 180° House Shield**

**HS2 - 270° House Shield**

NOTE: House Shields are internal to the luminaire.



Due to continuous development and improvements, specifications are subject to change without notice. Product use certifies agreement to FC Lighting terms and conditions.