

## FCA5500



<b>Date:</b>		<b>Approved:</b>
<b>Type:</b>		
<b>Luminaire:</b>		
<b>Project:</b>		

**FCA5500** is an outdoor, vertical lighting pole luminaire. The 7.375" diameter round housing is marine grade, corrosion resistant, heavy walled aluminum. The housing fits precisely on top of the pole base, made of precision spun aluminum. The luminaire has an impact resistant, UV stabilized, white, polycarbonate diffuser. Most notable about the FCA5500 is it's long, linear image free and even light pattern. Also, its 360° light pattern makes it functional for open path lighting and surrounding areas.

### SPECIFICATIONS

#### PHYSICAL

<b>lengths/dimensions</b>	Luminaire diameter: 7.375", Pole height 84" to 163.25" (specify custom height), Luminaire top height: 49.5"
<b>weight</b>	head: 46 lbs (4 ft), pole: 67 lbs (163.25")
<b>housing</b>	Marine grade, corrosion resistant, heavy walled, high pressure die-cast aluminum with extruded pole
<b>lens</b>	Impact resistant, UV stabilized, opal diffuser
<b>mounting</b>	Heavy wall gravity molded base provides a robust mounting solution with idea flush mounted appearance at the base plate. Anchor bolts included.
<b>ingress protection</b>	ETL, U.S. and CA listed for wet location. IP65 Rating. CAL Green compliant.
<b>finish</b>	Available in Black, Bronze, Graphite Grey, Silver, White and Custom Colors. Six stage chemical iron phosphate conversion pre-treatment. Polyester powder coat finish, 18 µm minimum, 5,000 hour salt spray test (ASTM B117) compliant with Florida / AAMA 2604 specification.

#### PERFORMANCE

<b>lumen output</b>	5600 lm (58W), 13800 lm (109W)
<b>lumen maintenance</b>	L70 > 70,000 hours
<b>color consistency</b>	Luminaires are tested to LM-80 with a CRI of 80+ and color consistency of 4 SDCM
<b>temperature</b>	<b>Operating:</b> -13°F to 104°F (-25°C to 40°C), <b>Start up:</b> -13°F to 104°F (-25°C to 40°C), <b>Storage:</b> -40°F to 176°F (-40°C to 80°C)
<b>warranty</b>	5-Year limited warranty

#### ELECTRICAL

<b>input voltage</b>	Universal 120 - 277 VAC, <b>Optional:</b> 347 VAC
<b>power supply</b>	Integral Class II, electronic high-power factor 99% @ 120 VAC
<b>controls</b>	SSL ColourSelect, 3rd party DMX 512, RDM standard based control system
<b>certification</b>	ETL / cETL, FCC Part 15
<b>standards</b>	UL1598/CSA C22.2 No. 250.0; UI 8750/CSA C22.2 No. 250.13/IES LM-79/LM-80, UL-Class II
<b>power consumption</b>	Maximum 109W
<b>dimming</b>	0-10V (10%)

Due to continuous development and improvements, specifications are subject to change without notice. Product use certifies agreement to FC Lighting terms and conditions.

# FCA5500



## Ordering Information

### ORDERING

FCA5500														
SERIES	VOLTAGE		HEIGHT	COLOR		LUMENS	FINISH		OPTIONS					
<b>FCA5500</b>	<b>UNV</b>	120 - 277 VAC	<b>84</b>	84" Min		<b>827</b>	(80CRI) 27K	<b>56L</b>	5600 lm (58W)		<b>BKE</b>	Black	<b>LD</b>	0-10V Dimming
	<b>347</b>	347 VAC (LD Only)	<b>163</b>	163.25" Max		<b>830</b>	(80CRI) 3K	<b>138L</b>	13800 lm (109W)		<b>BRE</b>	Bronze	<b>LAB<sup>1</sup></b>	Less Anchor Bolt Kit - for shipment separate of Anchor Bolt Kit
			<b>XXX</b>	<i>(Custom, note in inches. Range must be from 84-163 inches.)</i>		<b>835</b>	(80CRI) 35K				<b>GRE</b>	Graphite Grey		
						<b>840</b>	(80CRI) 4K				<b>SLE</b>	Silver		
											<b>WHE</b>	White		
											<b>CCE</b>	Custom Color		

### ANCHOR BOLT KITS

#### A05502

Anchor Bolt Kit - Complete Anchor Bolt Kit shipped in advance of luminaire.

<sup>1</sup> **Note:** Luminaire must be mounted into FC Lighting supplied Anchor Bolt Kit shipped with or separate of luminaire.

Due to continuous development and improvements, specifications are subject to change without notice.  
Product use certifies agreement to FC Lighting terms and conditions.

 US Commercial Lighting Manufacturer Since 1982

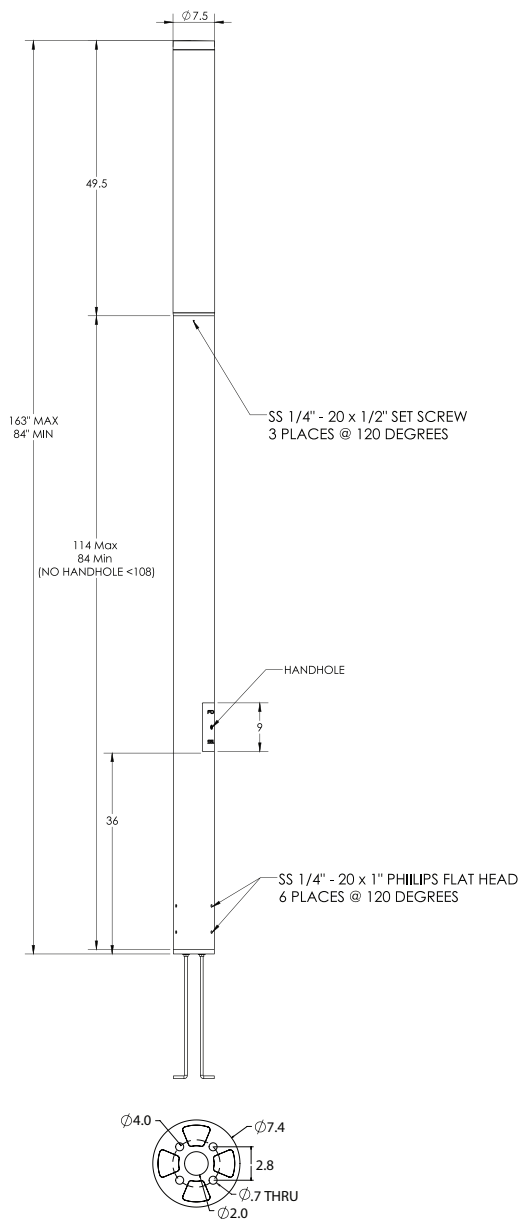
Specification Sheet

# Physical

## FCA5500



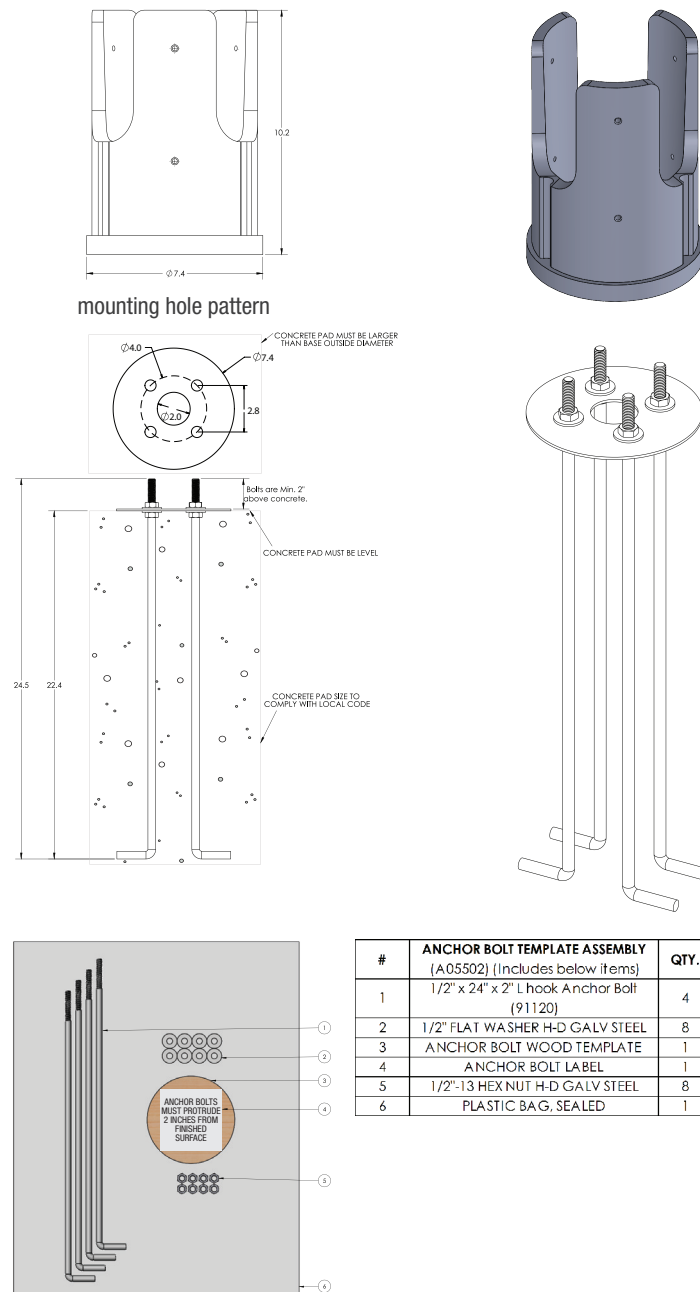
### PRODUCT DIMENSIONS - STANDARD PRODUCT



### MOUNTING

Mounting Plate Diameter	$\phi 7.4"$
Anchor Bolt Template Assembly	A05502

(Includes the below items listed)



Due to continuous development and improvements, specifications are subject to change without notice. Product use certifies agreement to FC Lighting terms and conditions.

US Commercial Lighting Manufacturer Since 1982

© FC Lighting 3609 Swenson Ave. • St. Charles, IL • 60174 | folighting.com | 800.900.1730

Specification Sheet

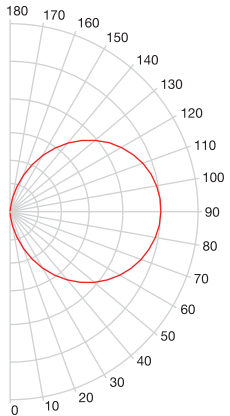
AG-DM-050126

# Photometry

## FCA5500



### OPTICAL DISTRIBUTION



Due to continuous development and improvements, specifications are subject to change without notice.  
Product use certifies agreement to FC Lighting terms and conditions.

 US Commercial Lighting Manufacturer Since 1982

**Specification Sheet**

© FC Lighting 3609 Swenson Ave. • St. Charles, IL • 60174 | folighting.com | 800.900.1730

AG-DM-050126