



Date:	Approved:
Type:	
Fixture:	
Project:	

FCD482 Bi-Direction

6" Round Directional
Drive-over LED Inground.



ORDERING

EXAMPLE: FCD482-120V-4K-330-SL-F-PVC

FCD482				3L			
SERIES	VOLTAGE	CCT		LUMENS	Finish		ACCESSORIES
FCD482	120V	27K	2700K	3L 330 lm (8W)	BK Black	PVC PVC Housing	
	277V	3K	3000K		BZ Bronze		F Fuse
		35K	3500K		WH White		
		4K	4000K		SL Silver		
					CC Custom Color		

REMOTE DRIVER & BATTERY BACKUP

FCD481R	UNV			3L			
SERIES	VOLTAGE	CCT		LUMENS	Finish		ACCESSORIES
FCD481R¹	UNV 120-277V	27K	2700K	3L 330 lm (8W)	BK Black	PVC PVC Housing	
		3K	3000K		BZ Bronze		F Fuse
		35K	3500K		WH White		BBUR¹ Battery Backup Remote (Indoor)
		4K	4000K		SL Silver		BBUX² Battery Backup Remote (Outdoor)
					CC Custom Color	N/A Leave Blank for Remote Driver Only (without Battery Backup)	

¹ LED DRIVER REMOTE (INDOOR) IP20, IK08, NEMA 1, -20°C to +50°C, 30' MAX Distance with 12AWG.

*Consult factory for outdoor remote driver only.

¹ Battery Back-up & LED Driver Remote (INDOOR), IP20, IK08, NEMA 1, 0°C to +48°C, 30' MAX Distance with 12AWG (w/UNV Option Only)

² Battery Back-up & LED Driver Remote (OUTDOOR), IP67, IK10, NEMA 4X, -20°C to +55°C, 30' MAX Distance with 12AWG (w/UNV Option Only)

SPECIFICATION

MOUNTING

- Concrete pour with **PVC** accessory.

CONSTRUCTION

- Corrosion resistant, heavy walled, solid die-cast aluminum construction.
- Lens is clear, polycarbonate.
- Neoprene continuous closed cell urethane 'O' ring gasket to seal out contaminants. Captive and recessed stainless steel, tamper resistant hex socket screws.

LED

- Lumens stated are delivered out of the luminaire. LED lifetime is greater than or equal to 70,000 hours with the lumen depreciation greater than L70. All of our luminaires are tested to LM 80 with a minimum CRI of 80 and color consistency of step 4 SDCM. Integral power supply standard. Input voltage 120V or 277V. Consult factory for dimming and any single color options.

FINISH

- Six stage chemical iron phosphate conversion pre-treatment. Polyester powder coat finish, 18 µm Min., 5000hr salt spray test (ASTM B117) compliant with Florida / AAMA 2604 specification.

LISTING

- ETL listed for interior and exterior wet locations. IP67 rating.

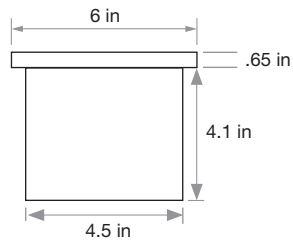
warranty

- 5 year limited warranty

Due to continuous development and improvements, specifications are subject to change without notice. FC Lighting reserves the right to change lab test details or specifications without notice. Product use certifies agreement to FC Lighting terms and conditions. FCC Series Cylinder Lights are engineered and produced in our Illinois manufacturing facility.

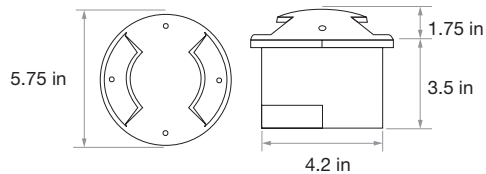
PHOTOMETRY

ACCESSORIES – PVC Housing



DIMENSIONS

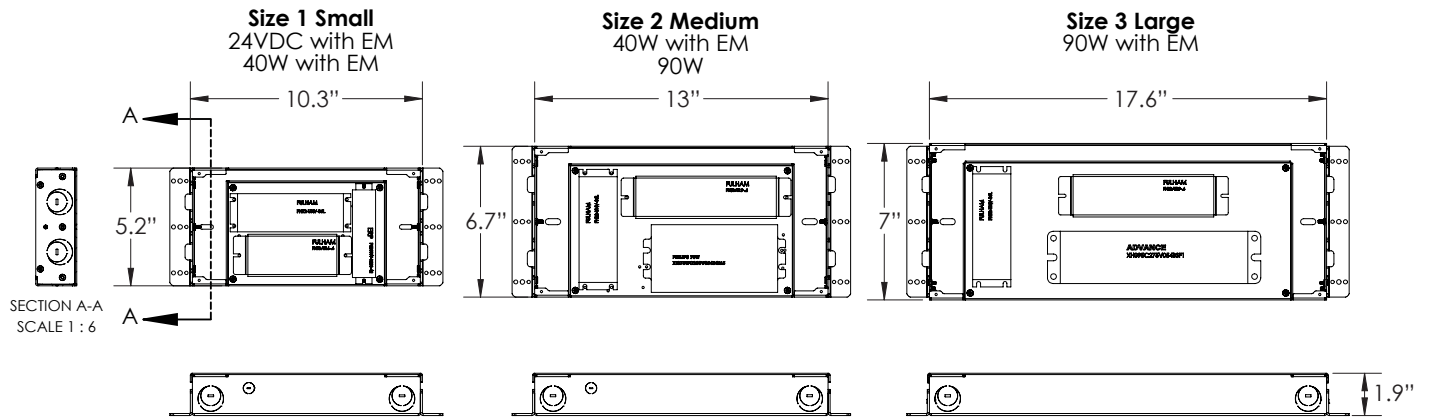
FCD482



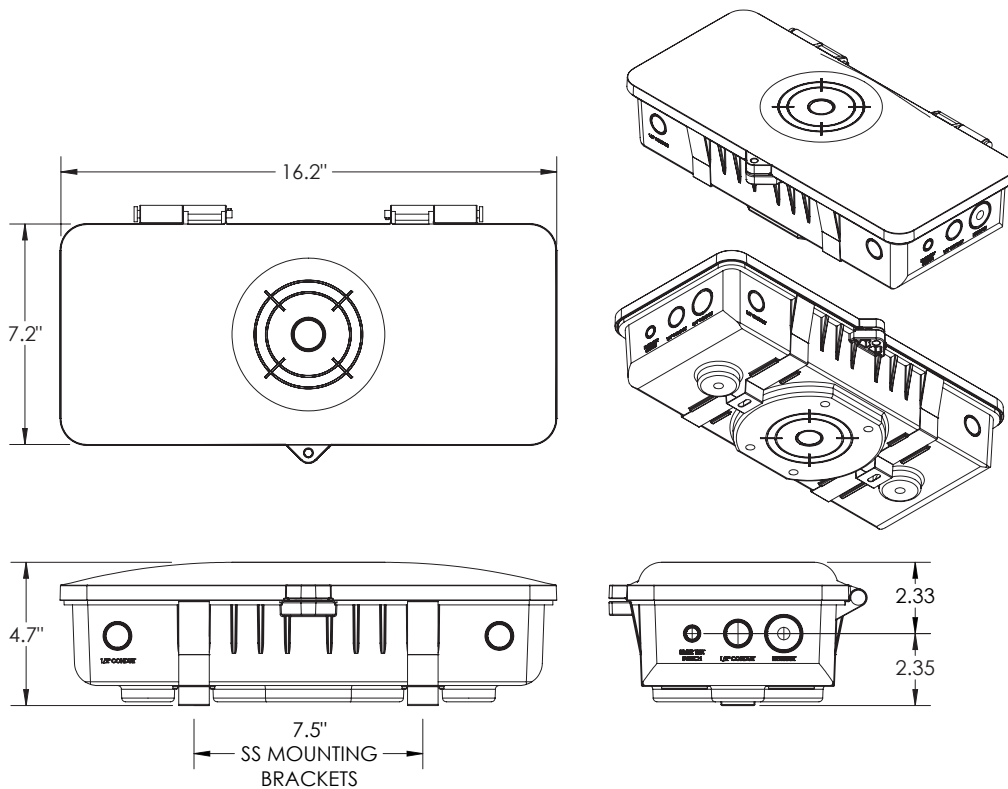
Due to continuous development and improvements, specifications are subject to change without notice. FC Lighting reserves the right to change lab test details or specifications without notice. Product use certifies agreement to FC Lighting terms and conditions. FCC Series Cylinder Lights are engineered and produced in our Illinois manufacturing facility.

BATTERY BACK-UPS

BBUR - BATTERY BACK-UP & LED DRIVER REMOTE (INDOOR), IP20, IK08, NEMA 1, 0°C to +48°C, 30' MAX Distance with 12AWG (w/UNV Option Only)



BBUX - BATTERY BACK-UP & LED DRIVER REMOTE (OUTDOOR), IP67, IK10, NEMA 4X, -20°C to +55°C, 30' MAX Distance with 12AWG (w/UNV Option Only)



Due to continuous development and improvements, specifications are subject to change without notice. FC Lighting reserves the right to change lab test details or specifications without notice. Product use certifies agreement to FC Lighting terms and conditions. FCC Series Cylinder Lights are engineered and produced in our Illinois manufacturing facility.